

SIKO INDUSTRY LIMITED

DEPULONG

铝幕墙 / 铝天花品牌定制

Aluminum Curtain Wall/Aluminum Ceiling
Brand Customization

Building Materials

广东德普龙建材有限公司

城市艺术
前行者
CITY
FUTURE
ART
PLAN



广东德普龙建材有限公司

www.metalpanelsupplier.com

地址：广州市番禺区石基镇桥山村竹园岗1号

Add: Guangzhou Panyu shiji town qiaoshan Village zhuyuan Street on the 1st





城市艺术
前行者
CITY
FUTURE
ART
PLAN

CONTENTS

目录

专业来自德普龙领先技术，
更认真对待服务的每一步。

Professional from DEPULONG leading technology,
Take every step of the service more seriously.



德普龙
DEPULONG

01	企业文化 Company Culture	01/02	05	镀锌钢板系列 Galvanized Steel Ceiling	63/64						
	企业简介 Company Profile	03/04		06	铝蜂窝板系列 Aluminum Honeycomb Panel	65/68					
	生产设备 Production Equipment	05/08			07	方通天花 Aluminum Square Ceiling	69/70				
02	铝单板&幕墙 Aluminum Panel & Curtain Wall	09/28	08	方板天花 8/5000 Square ceiling		71/72					
	吊码式安装天花板 Angle Code Type Installation Ceiling	29/30		09		条扣天花 Strip Ceiling	73/74				
	勾搭式天花系列 Hook-on Ceiling Series	31/32				10	格栅天花 General Grid Ceiling	75-76			
	雕刻镂空铝单板 Engraved Hollow Aluminum Panel	33/36					11	挂片天花系列 Screen Ceiling Series	75/76		
	空调外机罩 The Cover Of The Air-conditioner	37/38						12	色卡 Color Card	77/78	
	造型铝单板 Shape Of Aluminum Panel	39/44							13	工程案例 Project Case Display	79/108
	双曲铝单板 Double-curved Aluminum Panel	45/46									
	金属拉网天花系列 Metal Network Ceiling Series	47/48									
	长城板 Great Wall Panel	49/50									
	异形方通天花 Alien prescription Ceiling	51/54									
03	窗花系列 Window Grille Series	55/56									
04	汽车4S店 Car 4S Shop	57/62									

卓越
Excellent

企业使命
Corporate Mission

成为现代化建筑绿色、生态、环保制造者、装饰者、地球绿色卫士构建绿色企业与责任感企业、感恩社会、回报社会。

Maker become modern building green, ecology, environmental protection, decorator, earth green guards building green enterprise with a sense of responsibility, Thanksgiving society, repay society.

态度
Attitude

企业远景
Corporate Vision

致力于建筑幕墙、室内装饰材料等领域技术与研发、成为世界上最优秀的高端制造者之一。

Dedicated to building curtain wall, interior decoration materials and other fields of technology and research and development, Become one of the best high-end manufacturers in the world.

责任
Liability

企业价值
Corporate Value

超长使用寿命
超长耐候性
卓越品质
传递价值

Long service life,
Long weatherability,
Excellent quality,
Deliver value

沟通
Communication

企业精神
Corporate Enterprise

诚实守信、务实创新、
团结拼搏、追求卓越、
共同协作、团队共赢。

Honest and trustworthy, practical and innovative, Unity and struggle, pursuit of excellence,
Teamwork and win-win cooperation.





企业简介

Company Profile

集设计、研发、生产和销售于一体的铝材企业，与各品牌企业保持着长期合作，受到了广大用户的一致好评！

The aluminum enterprise integrating design, research and development, production and sales has maintained long-term cooperation with various brand enterprises and has been highly praised by the users!



广东德普龙建材有限公司是一家专业生产销售室内外金属铝质天花吊顶、金属单层铝幕墙板、异型天花、铝蜂窝板等装饰工程配套材料的大型企业。

公司成立于2008年，经过多年的经营发展，已发展成一家全国知名度较高的金属铝质装饰材料企业。现我公司拥有大面积现代化生产厂房和办公大楼，优雅的环境，公司引进法国萨麦斯SMAES全自动氟碳喷涂设备和韩国全自动KCI喷粉生产线，电脑数控液压设备，电脑数控转塔冲床、数控剪床、氩弧焊接技术，六条自动喷涂流水线，可满足终端客户不同的数量及要求。

本公司有多名工程设计人员，设计、生产、销售、安装施工一体化，以“质量与世界同步，服务使用户满意”为目标，积极推行和实施ISO9001：2008质量管理体系，从工程设计，产品生产检验，施工安装服务实行严格控制和严格管理。从售前、售中、售后进行跟踪服务，根据反馈的讯息不断改良，不断开拓创新，开发研制绿色环保的建材产品，本公司采用先进的技术，优质的材料，精湛的工艺，不断为建筑装饰创造高雅、舒适、健康、环保的建筑装饰精品，是国家装饰材料生产基地推荐优质产品，为多个重点项目指定产品。本公司各大品牌系列天花行销全国各地，出口到东南亚国家，中东、南美、非洲及部分欧洲国家，满足不同工艺标准的要求。

先进的设备，优良的品质，一流的服务，本公司将与你一起走向更辉煌的明天。

Guangdong De Pu Long Building Materials Co., Ltd. is a professional production and sales of indoor and outdoor metal aluminum ceiling, metal single-layer aluminum curtain wall panels, special-shaped ceiling, aluminum honeycomb panels and other decorative works supporting materials of large enterprises.

Founded in 2008, after years of business development, has developed into a national well-known metal aluminum decorative materials business. Now the company has a large area of modern production plants and office buildings, elegant environment, the company introduced the French Saimas SMAES automatic fluorocarbon spraying equipment and South Korea automatic KCI powder production line, computer numerical control hydraulic equipment, computer numerical control turret punch, CNC shear bed, argon arc welding technology, six automatic spraying lines, to meet the different number of end customers and requirements.

The company has a number of engineering design, design, production, sales, installation and construction integration, "quality and the world synchronization, customer service satisfaction" as the goal, and actively implement and implement ISO9001: 2008 quality management system, from engineering design, Product production inspection, construction and installation services to implement strict control and management. From the pre-sale, sale, sale tracking service, according to the feedback of the message constantly improved, and constantly blaze new trails, the development of green building materials products, the company uses advanced technology, high-quality materials, superb technology, To create elegant, comfortable, healthy, environmentally friendly architectural decoration boutique, is the national production base of decorative materials, recommended quality products for a number of key projects designated products. The company's major brand series of smallpox marketing throughout the country, exports to Southeast Asian countries, the Middle East, South America, Africa and some European countries to meet the requirements of different process standards.

Advanced equipment, excellent quality, first-class service, the company will work with you to a more brilliant tomorrow.



公司严格按照ISO9001:2000质量管理体系和质量保证体系进行运作，每个主要生产工序都实行非常严格的质量检测。在检测实验室中，拥有先进的检测仪器、试验设备和专业检测人员，使公司的喷涂各项指标均符合美国建筑制造商协会AAMA标准要求。

Company is operated in strictly compliance with ISO9001:2000 very stringent quality inspection at every crucial process. Our testing lab has advanced inspection and test equipment and test professionals, making all test items of coating meet AAMA standard.



生产设备

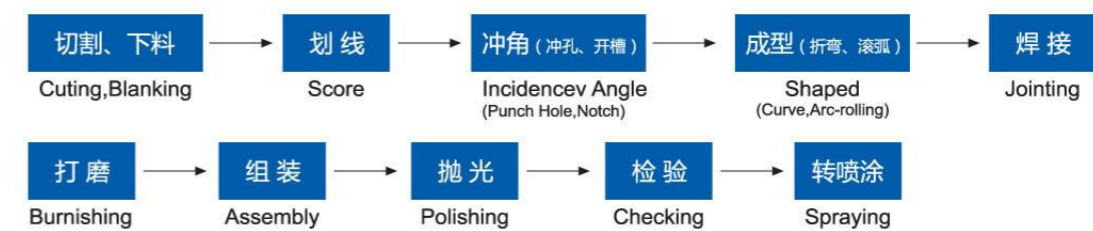
Production Equipment

生产自动化能最大程度提高工作效率，减少手工带来的误差从而提升产品质量及降低生产成本。因此我们不断引进国内外先进的生产技术和生产设备，同时不断借鉴国外完善的生产管理体系，使我们的生产力得到大大的提高及能保证质量的长期稳定。

It is the automatic production which can enhance the work efficiency to a large extent and diminish the errors caused by human force that results in improving the products quality and lowering the cost. To achieve the objective, we have introduced advanced production technology and equipments from abroad continuously; with the reference of foreign complete and perfect managerial system, meanwhile, we have greatly promoted the entire productivity so as to ensure the sustaining development of quality.

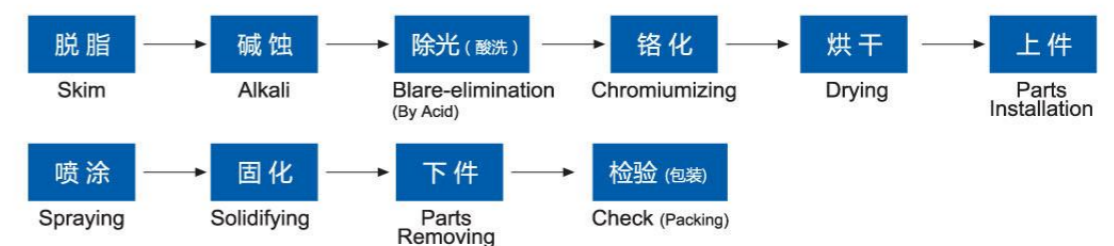
钣金流程

Metal Procedure



喷涂流程

Spraying Process





先进技术设备

Advanced Technology
& Equipment



德普龙



ALUMINUM VENEER & CURTAIN WALL

铝单板&幕墙

城市艺术 前行者

CITY
FUTURE
ART
PLAN

09/10

铝单板，是当今铝质建材产品中的一个深度加工系列产品。它拥有重量轻、刚性好、强度高、耐候性和耐腐蚀性好等优点；加工工艺复杂，可塑性强，可加工成平面、弧形面和球面等各种复杂的形状；色彩可选取性广泛，装饰效果好；耐污染性好，便于清洁、保养；施工安装方便、快捷并且可回收再生处理，有利环保。该产品适用于装饰大厦外墙、梁柱、阳台、隔板包饰、室内装饰等处，深受广大用户的青睐。

Aluminum panel is a kind of depth processing series among the modern aluminum building material, It has the advantage of light weight, fine rigidity, high strength; good weather and corrosion resistance; fine processing technics. may weld strongly, can be made to flat shape, arc shape and sphere shape etc; wide optional colour, good decoration effect; super pollution resistance, easy to clean and quick to lift and can be recycled, good for protecting environment, It fits for decorating the exterior wall of high-building, girder and columiation, balcony, clapboard interior decoration etc. it is received deeply by the most customers.



铝单板 幕墙的表面处理

Surface Treatment Of Aluminum
Panel Curtain Wall

幕墙铝单板表面一般经过清洗、铬化等前处理后，再采用氟碳喷涂处理。氟碳涂料分为底漆、面漆和清漆，主要成份为聚偏氟乙烯树脂（KYNAR500）。一般分为二涂、三涂或四涂。氟碳涂层具有卓越的抗腐蚀性和耐候性，能抗酸雨、盐雾和各种空气污染物等，耐冷热性能极好，能抵御强烈紫外线的照射，能长期保持不褪色、不粉化，使用寿命长。表面选用世界知名的氟碳涂料生产商PPG、DNT、AKZO、NIPPON等公司的优质氟碳涂料，颜色选择广泛，客户直接按厂家提供的色板选用或提供色板样。

Panel curtain wall is usually chromites, after that, it is treated with fluorine-carbon spray coating. Polyvinylidene fluoride resin (KYNAR500) of the fluorine carbon coating finish paint and the varnish is normally divided nit 2nd coating, 3rd coating or 4th coating. Fluorine carbon coating has outstanding characteristics of corrosion resistance and weathering resistance, resisting acid rain, salt fog and various air contaminants. Besides, is has good performance of thermal Dan cold endurance, and it can resist strong ultraviolet, can keep unfading and chalking for a ling time, and has ling service life. Our factory chooses the high-quality fluorine carbon coating material manufactured by well-known PPG, DNT, AKZO, and NIPPON, etc. we choose nice and various colors. Customers can directly choose in accordance with the color plate manufacturers offered or provide the color sample.

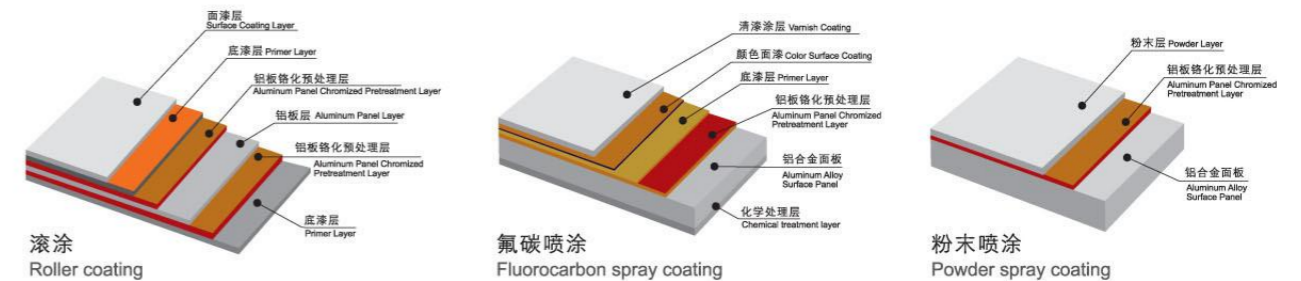


德普龙



铝合金外墙板的基材是精选进口A3003铝锰合金系列或A5052铝镁合金系列高品质板材，故HUANGLIN 铝板的抗拉强度，屈服（变形）强度等性能均比其它种类的铝板优异。

The base material of Huanglin aluminum alloy external wall panel is imported A3003 aluminum-manganese alloy series or A5052 aluminum-magnesium alloy series quality plate, therefore, the HUANGLIN aluminum panel has better tensile strength, yield (distortion) strength compared with other kinds of aluminum panels.



铝单板 幕墙的材质及构造

Materials And Construction Of Aluminum
Veneer Curtain Wall

铝单板幕墙采用优质高强度铝合金板材，其常用厚度为2.0，2.5，3.0，型号为1100系列、3003系列，状态为H24。常规材料最大尺寸为1300mmX4000mm。其构造主要由面板、加强筋和角码组成。角码可直接由面板折弯、冲压成型，也可在面板的折边上铆装角码成型。加强筋与板面后的电焊螺钉连接，使之成为一个牢固的整体，极大增强了铝单板幕墙的强度与刚性，保证了长期使用中的平整度及抗震能力。如果需要隔音保温，可在铝板内侧安装高效的隔音保温材料。

Pate curtain walls adopt high-quality and high strength aluminum plate. Its common height is 2.0mm, 2.5mm, 3.0mm, and its model is 1100*3003, and its state is H24. Besides its general material's maximum dimension is 1300mmX4000mm, and its structure is composed of front-panel, reinforced rib, and angle. Front-pages is directly flexed, and then stamped to form an angle bracket; it also can be formed by riveting angle bracket on the panel's flanging. Reinforced rib is jointed with electric welding bolt behind plate in order to form a firm structure. So, it strengthens aluminum curtain wall's strength and rigidity, and ensures its flatness and ability to resist wind and shock during its long-term use. If need additional sound insulation and heat preservation effects, the special materials can be fixed inside the aluminum sheet.



铝单板氟碳喷涂

Lurocarbon Coating Of Aluminum Panel

铝单板表面喷涂采用的氟碳聚合物涂料，是一种应用于外墙金属涂料，其主要成分含有不少于70%Kynar500或Hylar5000的氟碳树脂，是一种分子结构最稳定及耐久性结合涂料，经过氟碳的产品能长期抵抗阳光中的紫外线照射，工业废气、酸雨及化学品的侵蚀，能长期保持颜色的稳定和光洁，涂层不剥落、不龟裂、不粉化等。产品达到美国AAMA2605质量标准。为使公司产品达到国际一流的水准，采用先进的进口喷涂设备，选用美国PPG公司生产的Kynar-500PVDF氟碳聚合物涂料喷涂。

Panel surface coating of aluminum applied fluorocarbon polymer coating, metal coating is applied to the external walls, the main component containing not less than 70% Kynar500 or Hylar5000 of fluorocarbon resin, is the most stable molecular structure and Durability combined with coating, fluorocarbon products through long-term exposure to the sun's ultraviolet resistant, industrial emissions, acid rain and chemical erosion, maintaining long-term stability and smooth color, coating does not peel off, do not crack, not powder and so on. Products to the United States AAMA2605 quality standards. To make our products meet world-class standards, the use of advanced coating equipment imports, the choice of Akzo Nobel or the United States produced by PPG Kynar-500PVDF fluorocarbon polymer coating spray.

氟碳树脂PVDF原理

The Pudf Principles Of Fluorine Carbon Resin

使用在产品上的氟碳树脂PVDF是把脂肪族碳氢分子结构中以氟原子替换部分氢原子的聚乙烯吡咯烷酮，(Polyvinyl Pyrrolidone) 具有最大负电荷的氟(F)原子和碳(C)原子间的氟-碳结合力高过105.4kcal/mol，这就是意味着要破坏氟-碳结合至少需要105.4kcal/mol以上的能量。

氟-碳结合距离为1.36A,这距离比碳-碳结合距离1.54A还要短。因氟原子产生立体阻碍，其结构非常紧密，很难破坏氟-碳的结合。HYLAR5000是美国AUSIMONT公司注册的PVDF树脂的商标。KYNAR5000是美国Atochem Norty America公司注册的PVDF树脂的商标。

the fluorine resin PVDF used on the product is the polyethylene pyrrolidone ,which was made by using the fluorine atom to take place of some hydrogen atoms. (Polyvinyl Pyrrolidone)

The combination power of fluorine (F) atoms and carbon (C) atoms is higher than 105.4kcal/mol, that means to destroy the F-C combination need at least one 105.4kcal/mol energy.

The distance of F-C Combination is 1.36A which is shorter than the distance of C-C combination 1.54A. Because of the solid block caused by F-atom which makes the structure strong enough, it is hard to destroy the combination of a carbon-fluorine.

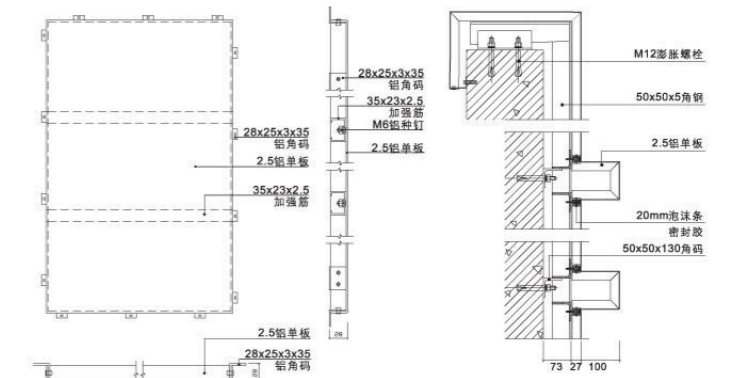
HYLAR5000 is the trademarks of PVDF resin that registered by AUSIMONT USA Company.

KYNAR5000 is the trademarks of PVDF resin that registered by Atochem North America



铝单板幕墙节点图

Installation Node Drawing Of Aluminum Curtain Wall

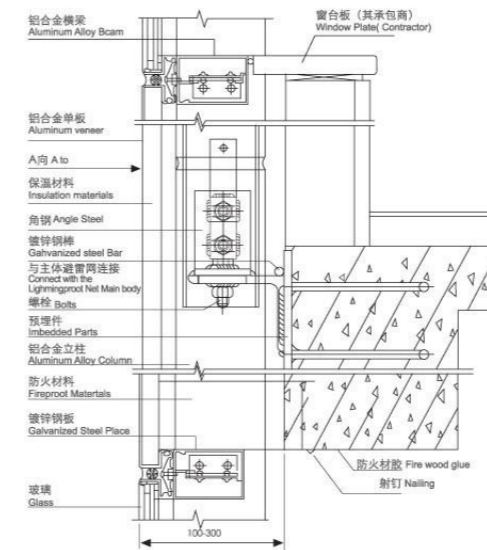


幕墙平面板块大样图
Large flat plate wall drawing

幕墙剖面样图
Parapet wall section drawing

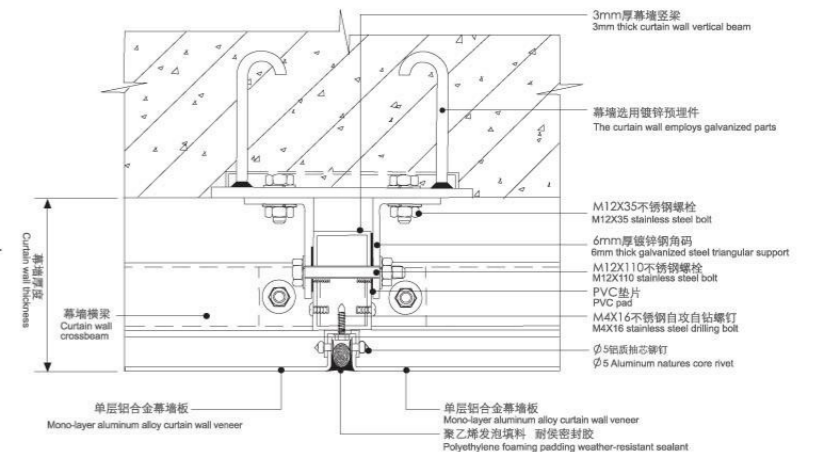
铝单板幕墙节点图

Installation node drawing of aluminum curtain wall



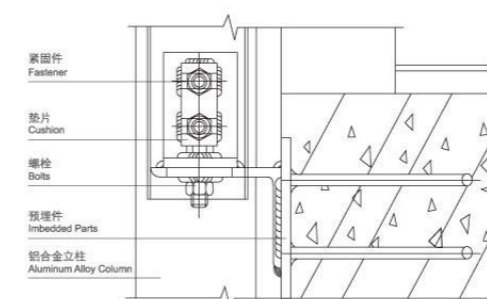
单层铝合金幕墙板安装节点图

Installation node drawing of single-layer aluminum curtain wall panel



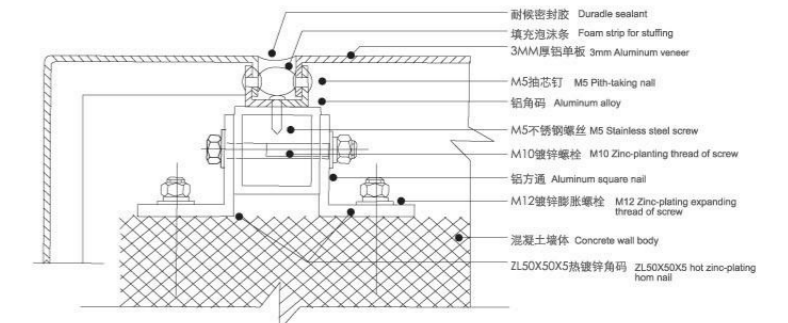
铝单板幕墙节点图

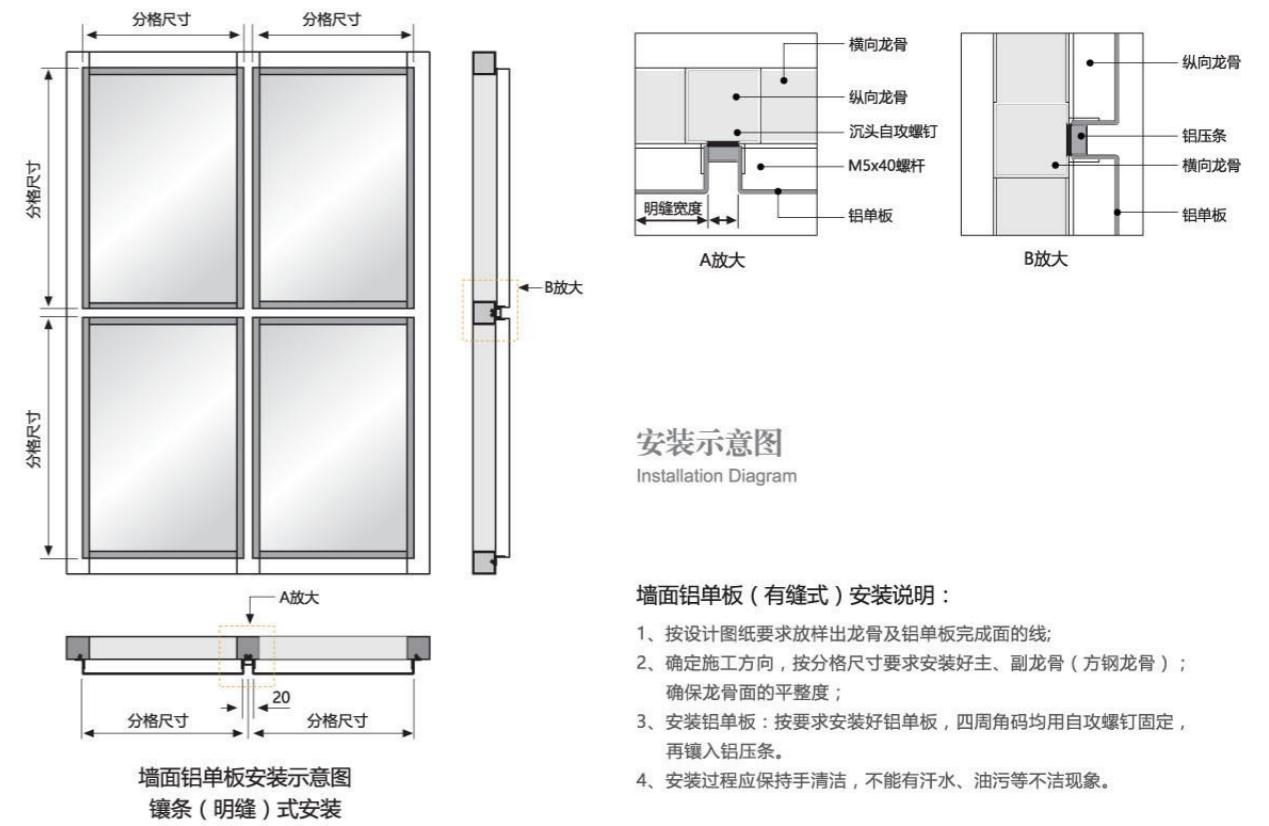
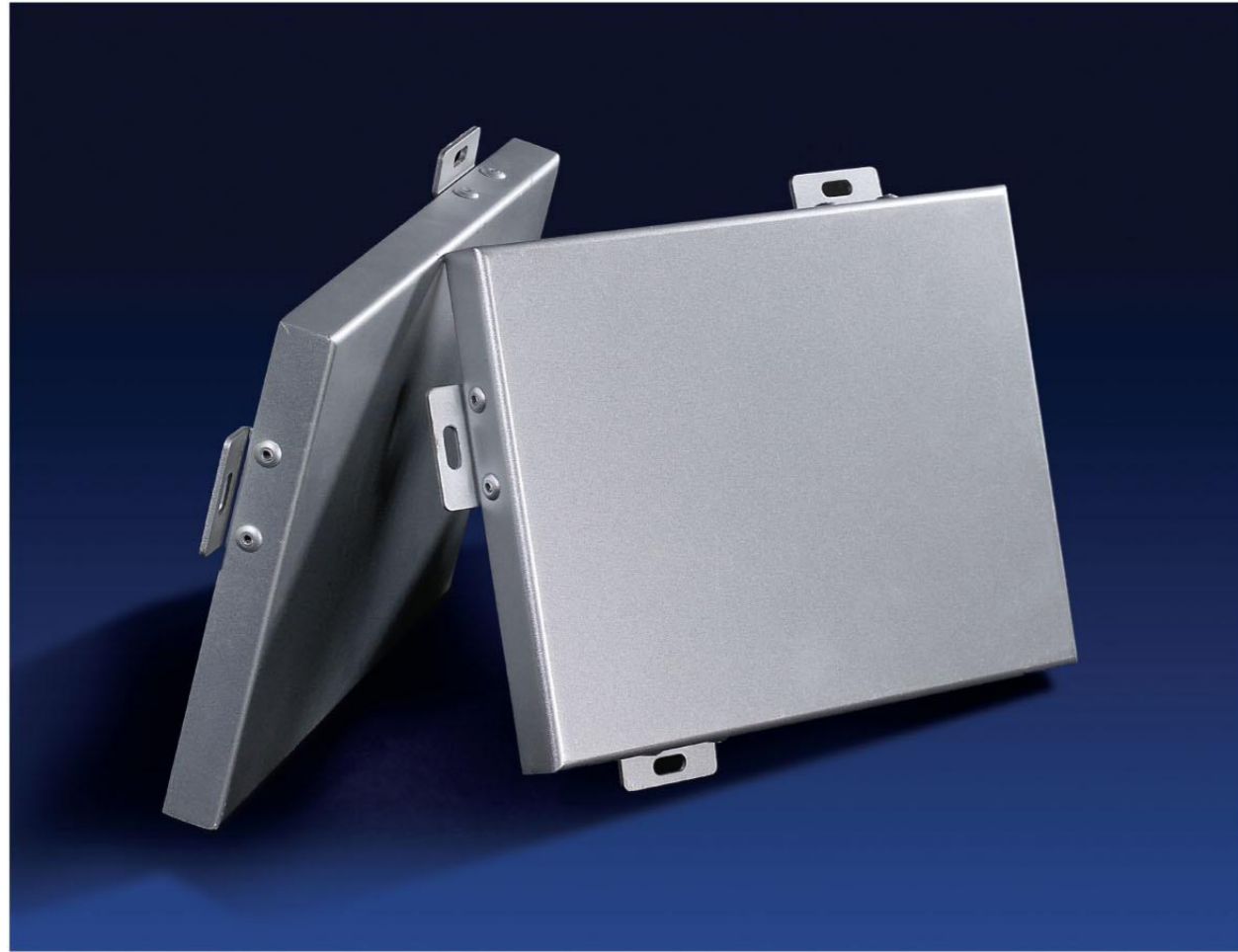
Installation node drawing of aluminum curtain wall



铝单板幕墙与铝单板幕墙相接的节点图

Single-phase of the node drawing of aluminum curtain wall and aluminum curtain wall





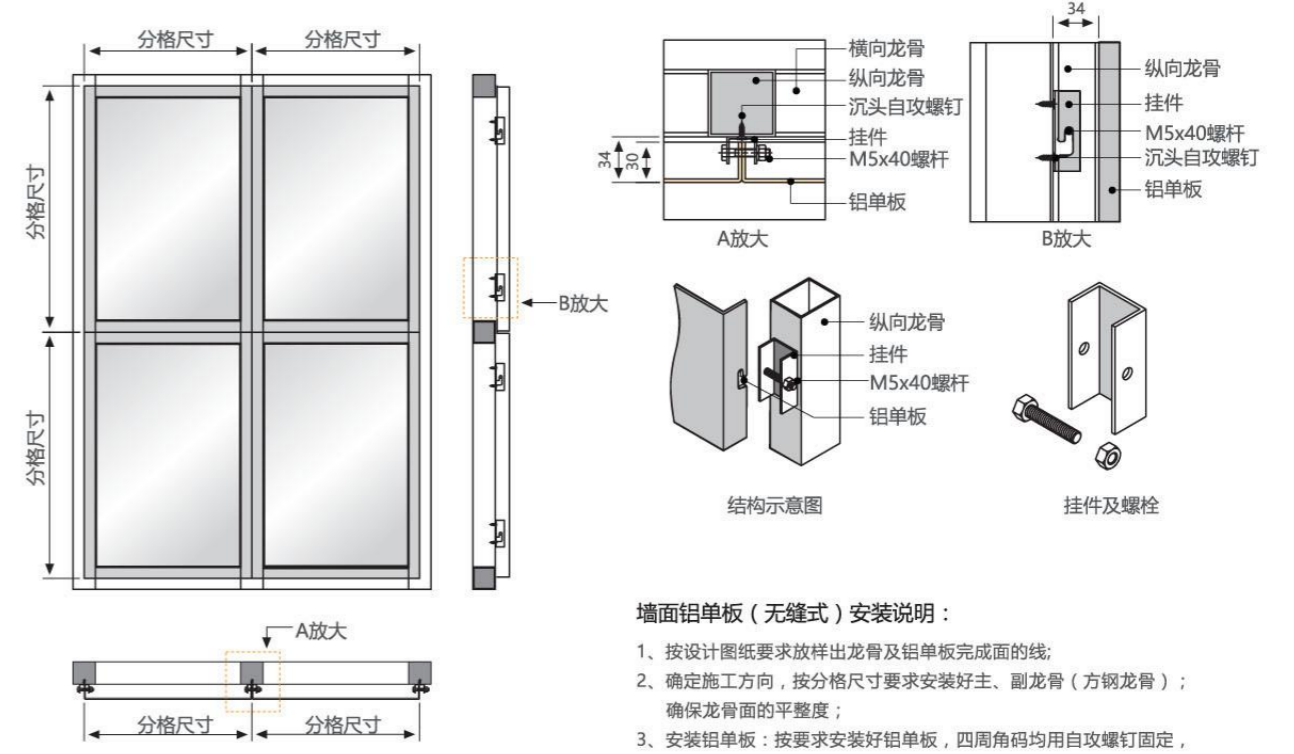
平面有缝铝单板

Flat-seam Aluminum Panel

利用铝单板两个加筋之间的空隙，加以螺丝固定，然后封胶，即可完成；这是铝单板最常用的一种安装形式，铝单板与铝单板之间形成线，使平整中多一份流动的格调，利用各种不同色调的胶水，形成不同色调的线条，与铝单板面色可协调、可对比，因情景氛围而定。

The use of aluminum reinforced the gap between the two panels, screw them back fixed, then seal glue, to complete; aluminum panel is the most common form of an installation, aluminum and aluminum panel veneer between the lines, so that smooth flow in more of a style, using a variety of different shades of glue to form a different coordinate lines, looking to coordinate with aluminum panel, can be compared, because of atmosphere and scene setting.





墙面铝单板安装示意图
(干挂式自然无缝拼装)式安装

- 墙面铝单板（无缝式）安装说明：**
- 1、按设计图纸要求放样出龙骨及铝单板完成面的线；
 - 2、确定施工方向，按分格尺寸要求安装好主、副龙骨（方钢龙骨）；确保龙骨面的平整度；
 - 3、安装铝单板：按要求安装好铝单板，四周角码均用自攻螺钉固定，再镶入铝压条。
 - 4、安装过程应保持手清洁，不能有汗水、油污等不洁现象。

平缝无缝铝单板

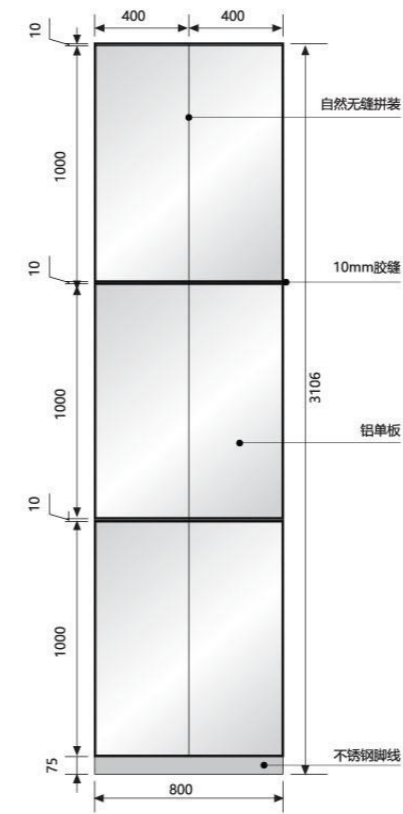
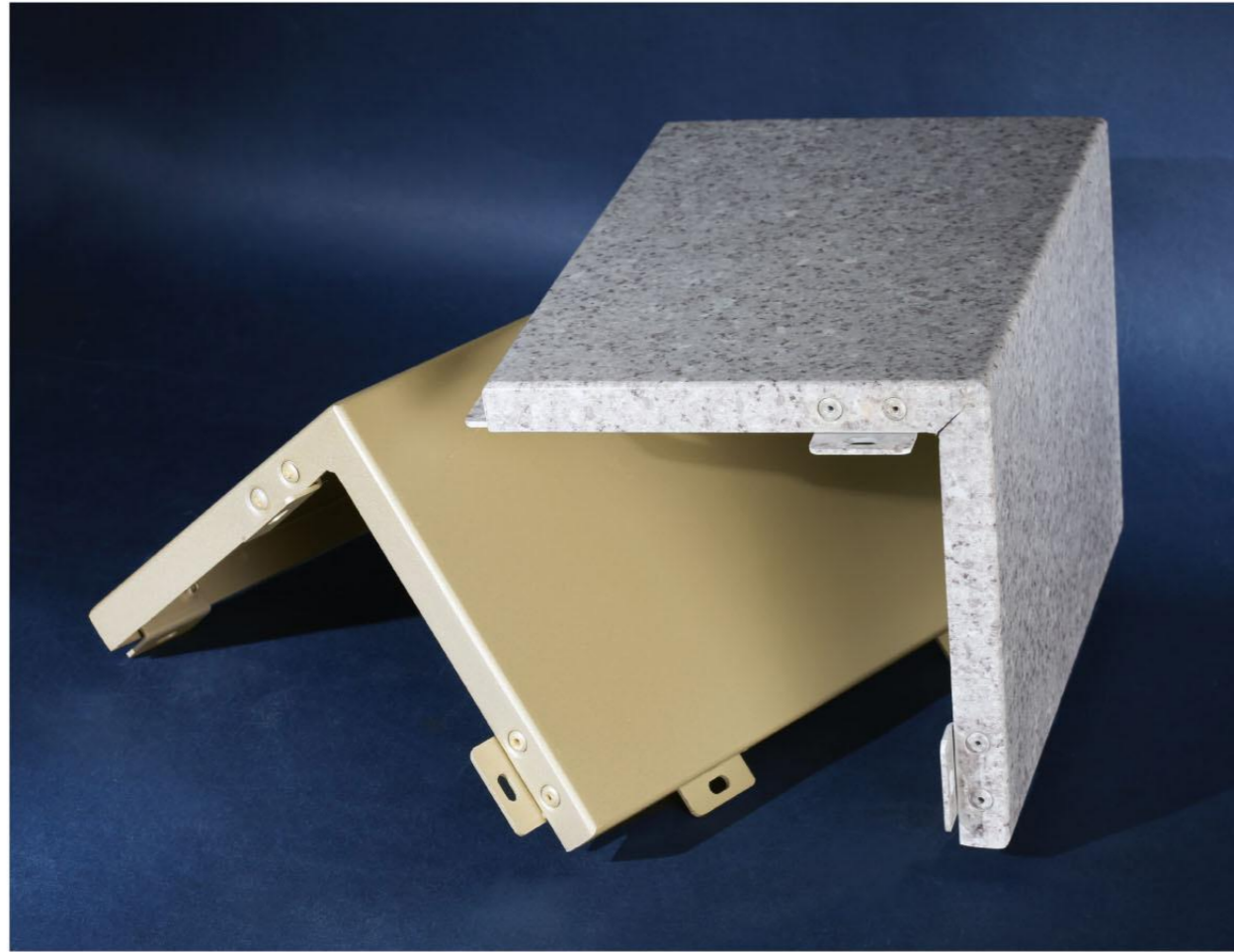
Flat-seamless Aluminum Panel



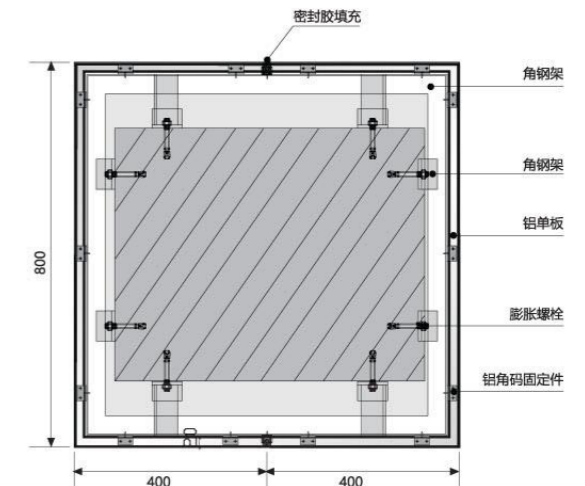
无缝铝单板是在安装中使板与板之间的间距尽量缩小，使其整体起着平整、流畅的视觉效果；情景交融，精致动人让平缝体现铝金属本质的肌理，触手可及的光泽散发着永久的亮丽与洁净，为建筑提升档次，为环境创造灵性的视觉盛宴！

Dense seam aluminum panel is installed manipulation in the spacing between panels to minimize, to play the whole flat, smooth visual effects; scenes, exquisitely so smooth aluminum reflects the nature of the muscle, the fingertips gloss exudes a permanent bright and clean, for the building to enhance the grade for the environment to create intelligent visual feast!





方柱子立面图(干挂式有缝)



方柱子剖面图(干挂式)

铝单板包方柱安装实例

Aluminum Curtain Square Column Installation Sample

1. 铝单板
2. 耐候密封胶
3. 泡沫垫条
4. 挂耳交错安装
5. 自攻螺丝
6. 角钢调平后焊接并做防锈处理
7. 膨胀螺栓
8. 铝方管

1. Aluminum curtain
2. Weather resistant sealant
3. Foam cushion bar
4. Hanging ears are installed interlaced
5. Tapping screw
6. Weld after angle steel after leveling, and then fulfill anti-rust treatment
7. Expansion bolts
8. Aluminum square tube

方型有缝包柱

The Square Seam Packet Column

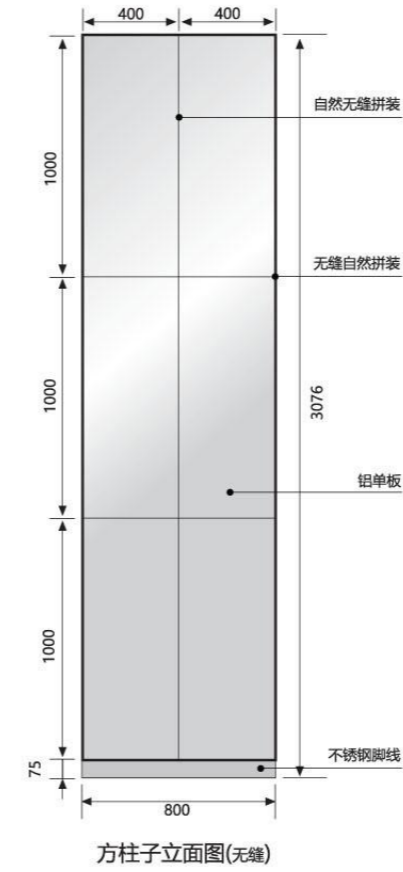
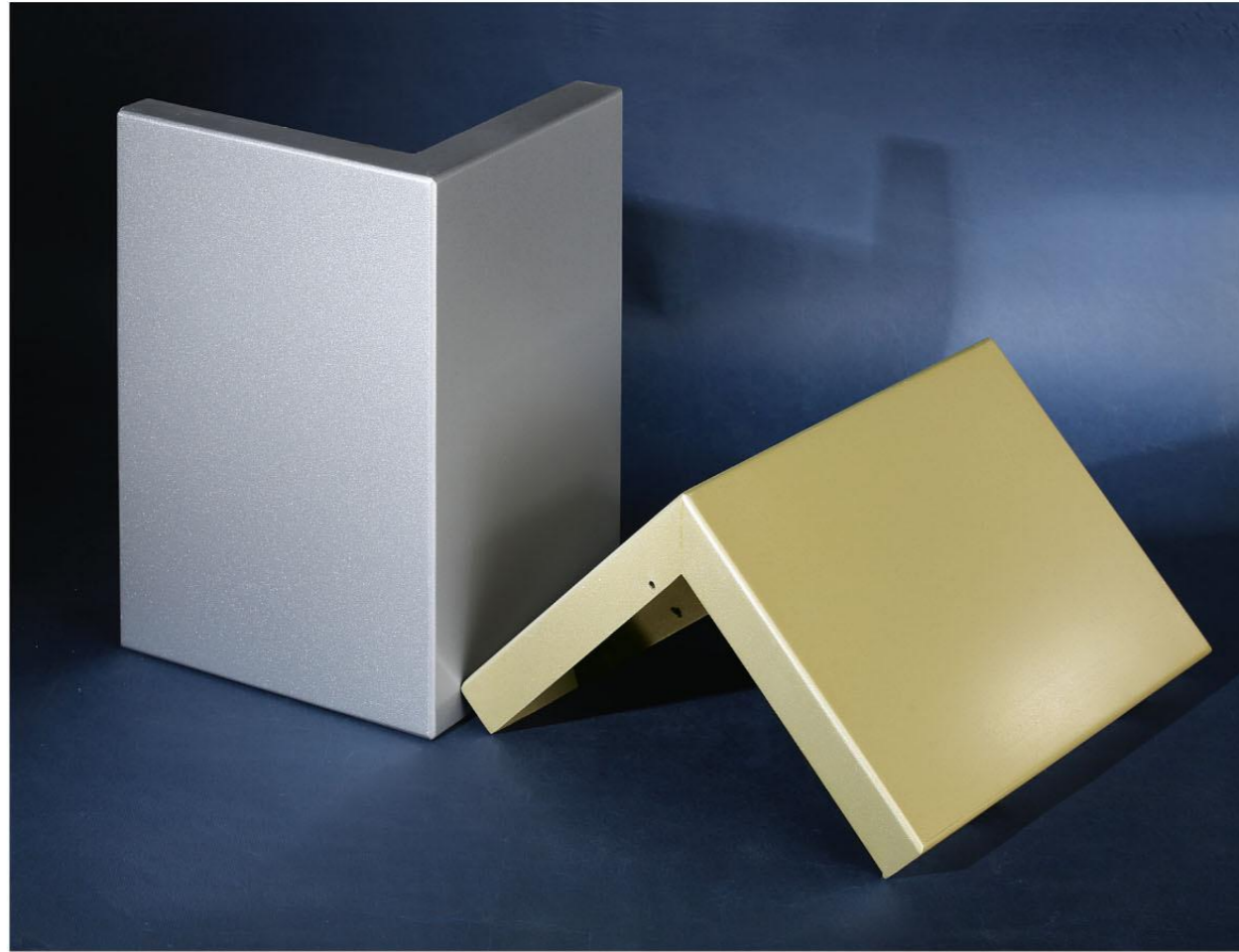
原本是空间障碍的方柱，通过设计师的装饰变成一道亮丽的风景线，这就是装修的魅力，也是建材的功劳；方型有缝包柱为单一的墙体增添几分独特的视觉亮点。

Side column originally steric hindrance, designer decorated into a beautiful landscape, which is renovated charm, but also the credit of building materials; rectangular slit package column as a single wall to add a bit unique visual highlights.

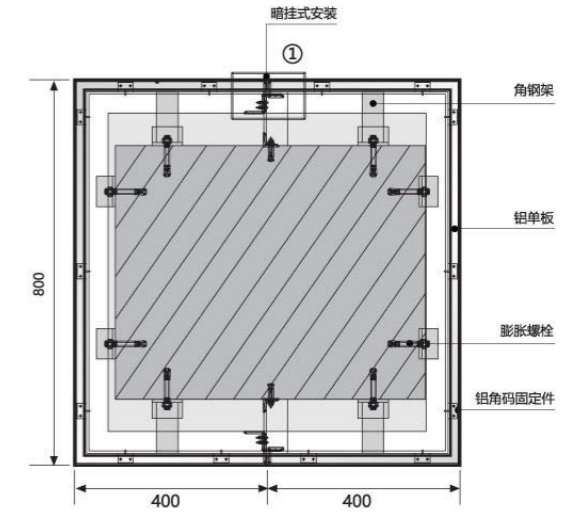


德普龙

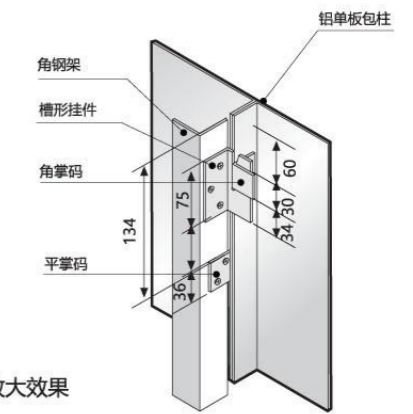




方柱子立面图(无缝)



方柱子剖面图



① 局部放大效果

铝单板包方柱安装实例

Aluminum Curtain Square Column Installation Sample



方型无缝包柱

The Square Seamless Packet Column

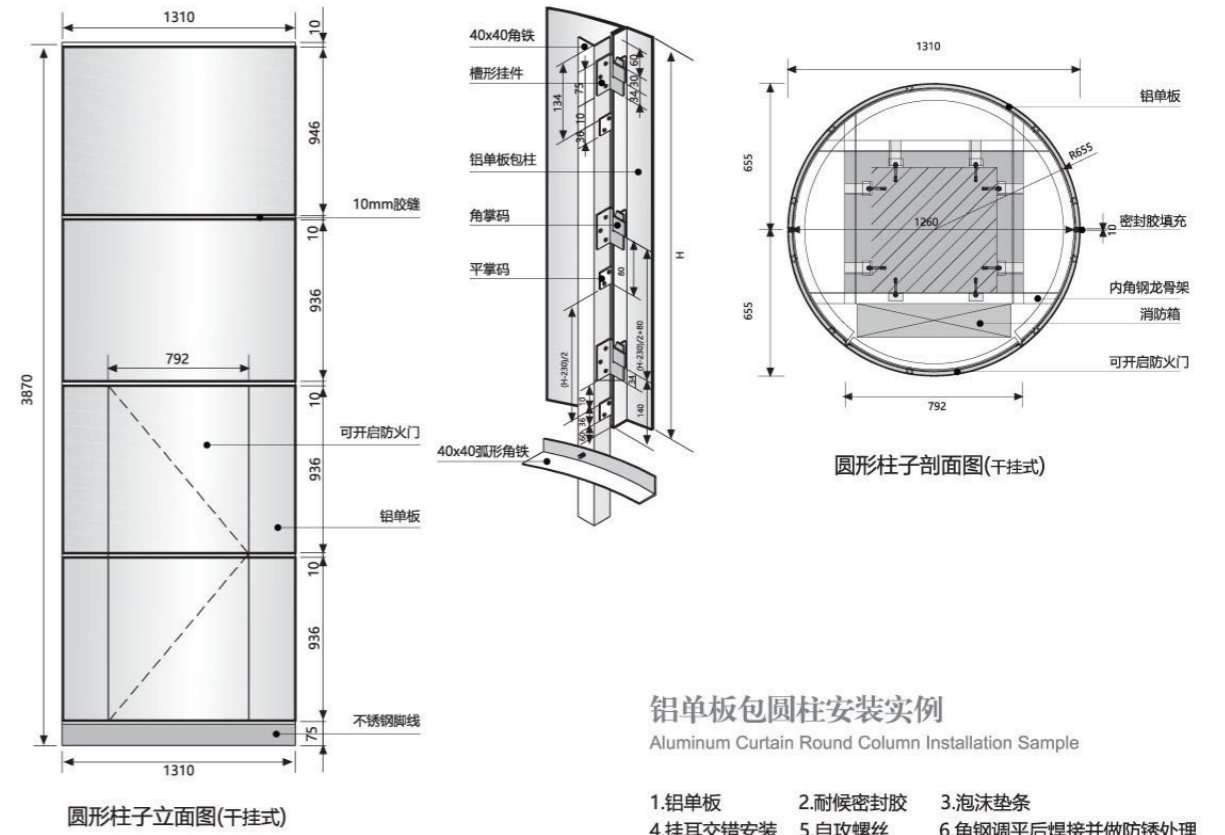
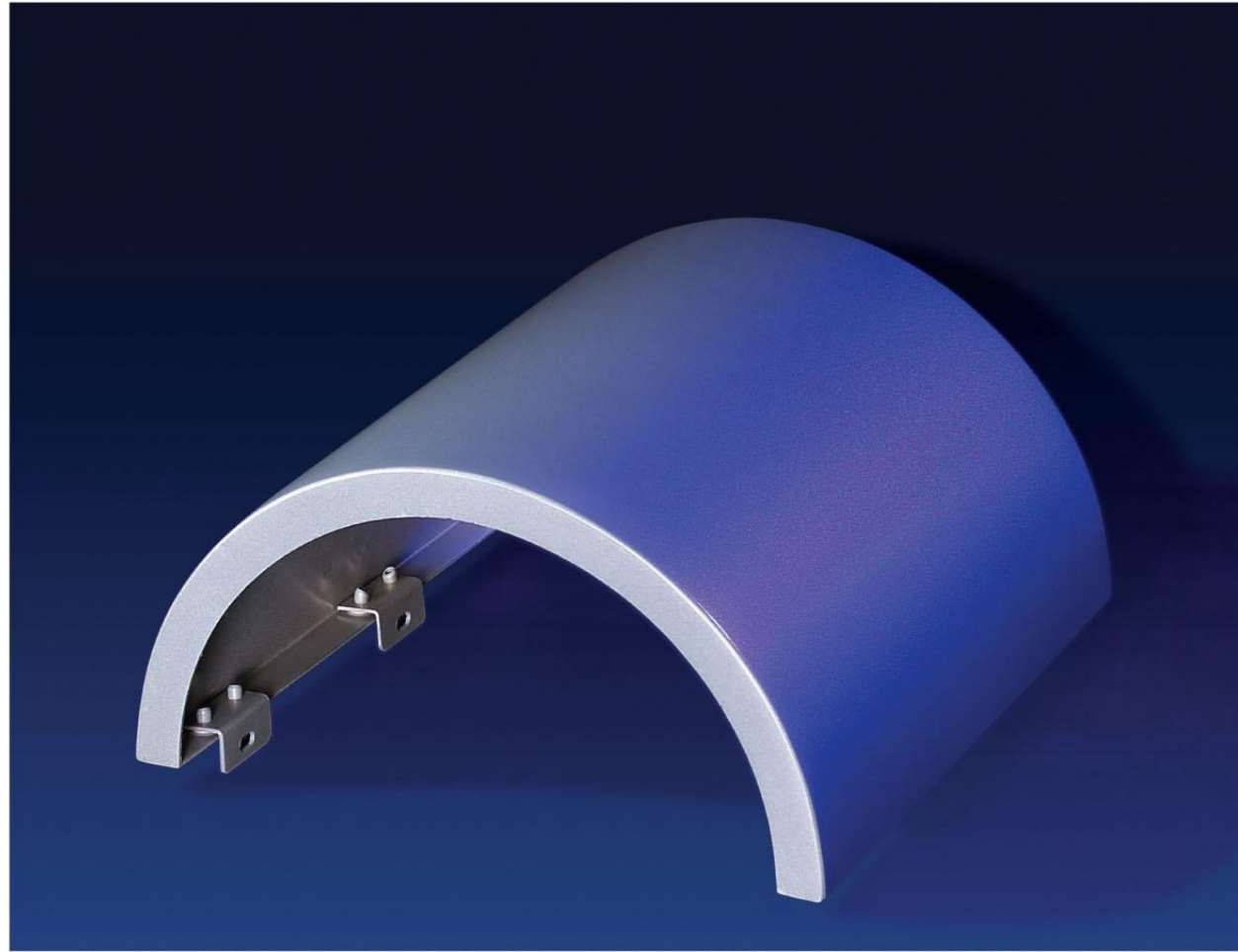
方型无缝包柱的应用为大型装饰空间提供了一个整体简洁的视觉空间；尤其是变幻莫测的建筑设计中，平整反而成了视觉另一缓冲点，常常给人们带来平凡的惊喜与享受！

Column of the square seamless package for large decorative space provides a the overall simple visual space; especially the vagaries of architectural design, the flat has become a visual another buffer point, often gave rise to an extraordinary surpriseenjoy!



德普龙





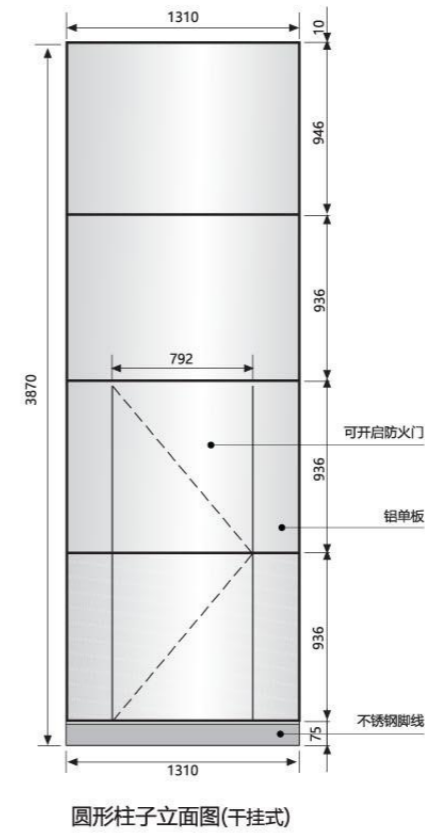
圆形有缝包柱

Round Seam Packet Column

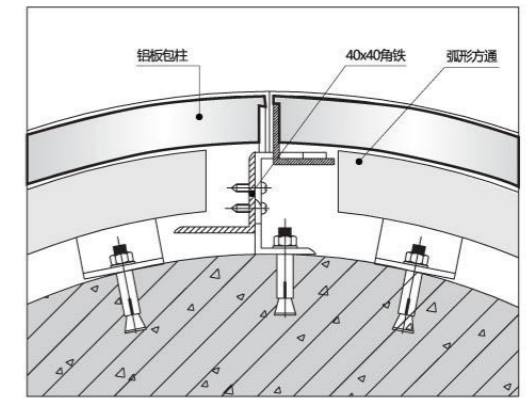
圆形有缝包柱把公众视觉立体化的一个基点，在建筑空间美学中，设计材料与造型的产生，不仅是某个意象不期而遇，更是灵感与现实的碰撞；并且可以肯定这种创意的应用也是可以持续延伸。

The circular slit package column to the public visual three-dimensional basis points in the architectural space science, design material and shape of produce, not only an image, meet by chance, but the inspiration and reality collision; and certainly kinds of creative applications are also continuing to extend.

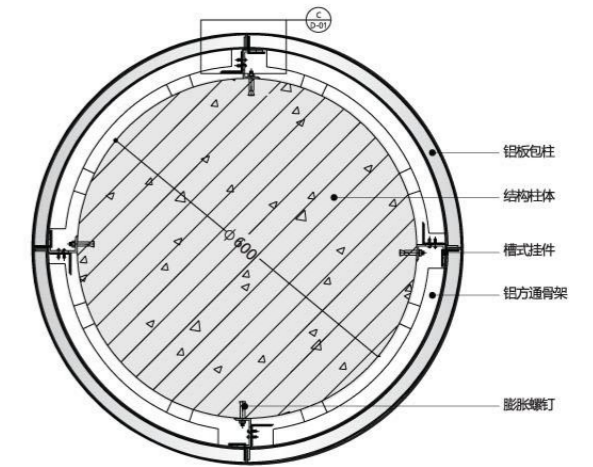




圆形柱子立面图(干挂式)



C剖面大样



A-A 剖面

铝单板包圆柱安装实例

Aluminum Curtain Round Column Installation Sample



圆形无缝包柱

Round Seamless Packet Column

圆形无缝包柱的应用常常令人耳目一新的惊喜与视觉享受，它的身影常常出现在酒店大堂、大型车站、机场及各种展厅等公共场所中。并且不同场合给人的愉悦也有所不同，也许与您的期遇，您会觉得是那么的直接而简单，没太多的深层元素，但是那么自然而然，好象天主造物本应如此。

Round seamless package column is often a refreshing surprise and visual enjoyment, figure often appeared in the hotel lobby, large stations, airports, and all kinds of exhibition halls and other public places. And different occasions gives pleasure also the different may encounter with your period, you would think it is so direct and simple, not too deep elements but you will always so natural, as if the God of creation should so.





仿木纹 仿石纹铝单板

Imitation Wood Grain / Imitation Stone
Aluminum Panel

是一种效仿大自然而又超越大自然的产品。它独特优点在于：丰富的色彩和表面纹理效果，能长期在日照下不褪色、不龟裂、不脱落的杰出性能。其特有的分子结构，阳光中的紫外线透过率仅为千分之一，使产品的抗老化性和耐候性还远超过其它任何一种喷涂产品。用它对各种铝型材及其它金属材料表面进行加工装饰，从而实现新的设计理念。

It is a product that imitates the nature but surmounts the nature. Its unique advantage lies in that its abundant colors and surface texture effect can have the remarkable performance of color fastness, no cracks and no coming off in long-term sunshine. Because of its peculiar molecular structure, the degree of transparency of ultraviolet rays in sunshine is only 1%, making the ageing-resistance and resistance to weathering of product far exceed any other spray-coating product. Using it to process and decorate the surfaces of various aluminum extruded sections and other metal materials can help realize new design concept.



机场 加油站 车场 地铁 体育馆 贸易商场 写字楼 办公室 休闲场所

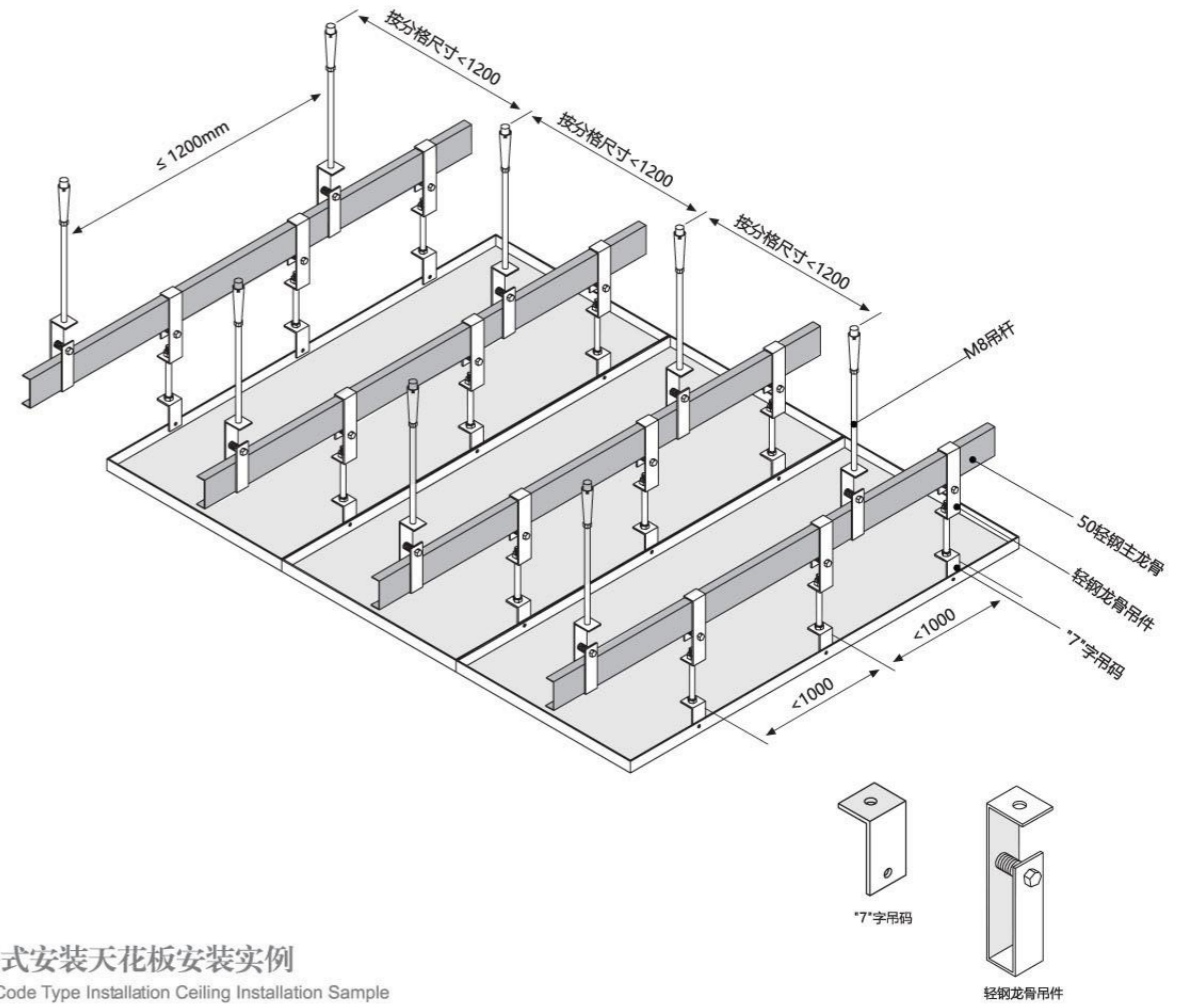


仿木纹铝单板
Imitation Wood Grain Aluminum Veneer



仿石纹铝单板
Imitation Stone Aluminum Veneer





吊码式安装天花板安装实例

Angle Code Type Installation Ceiling Installation Sample

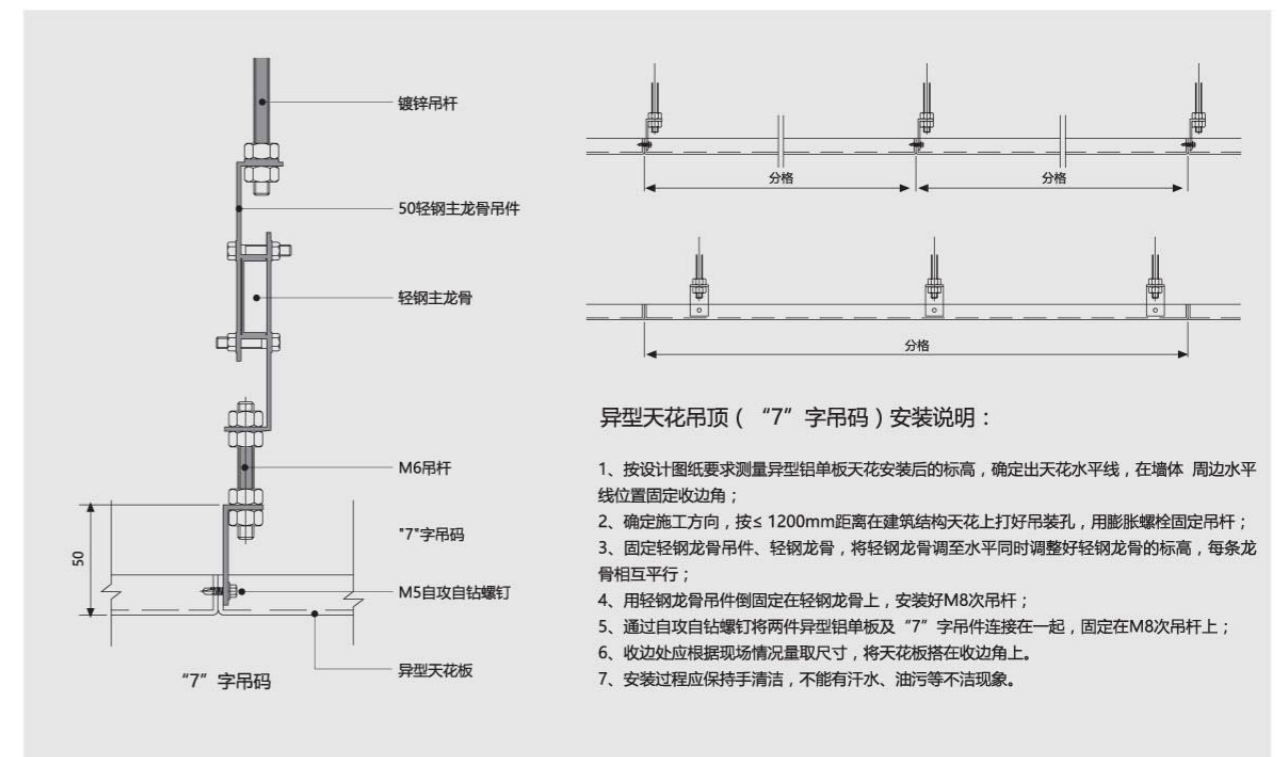
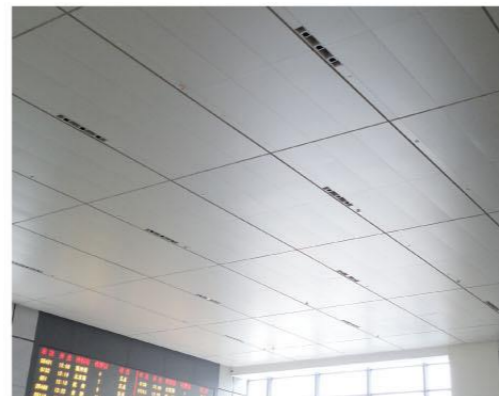
吊码式安装天花板

Angle Code Type Installation Ceiling



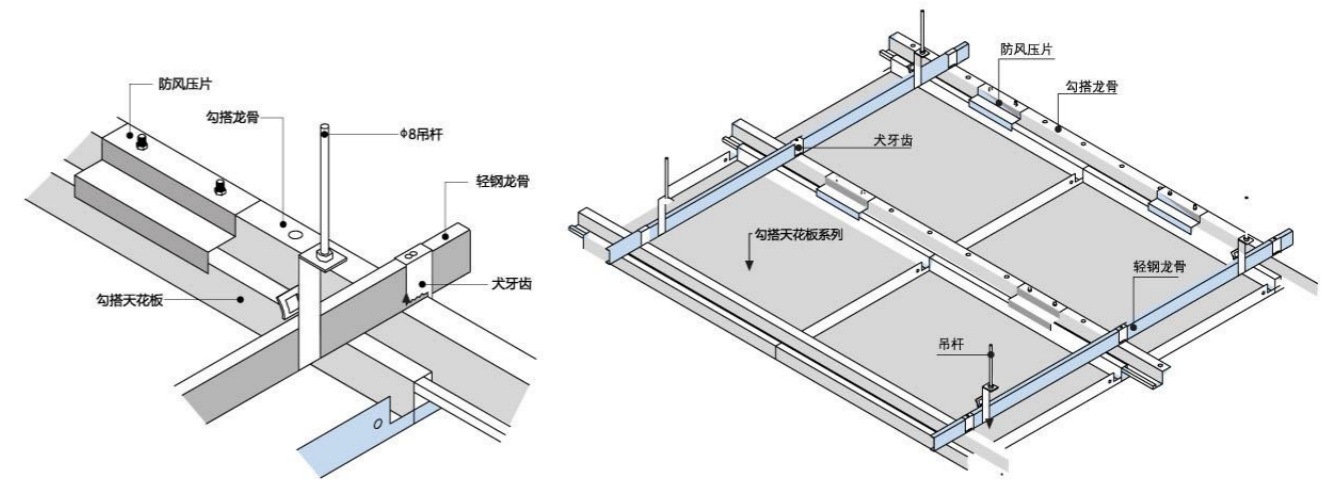
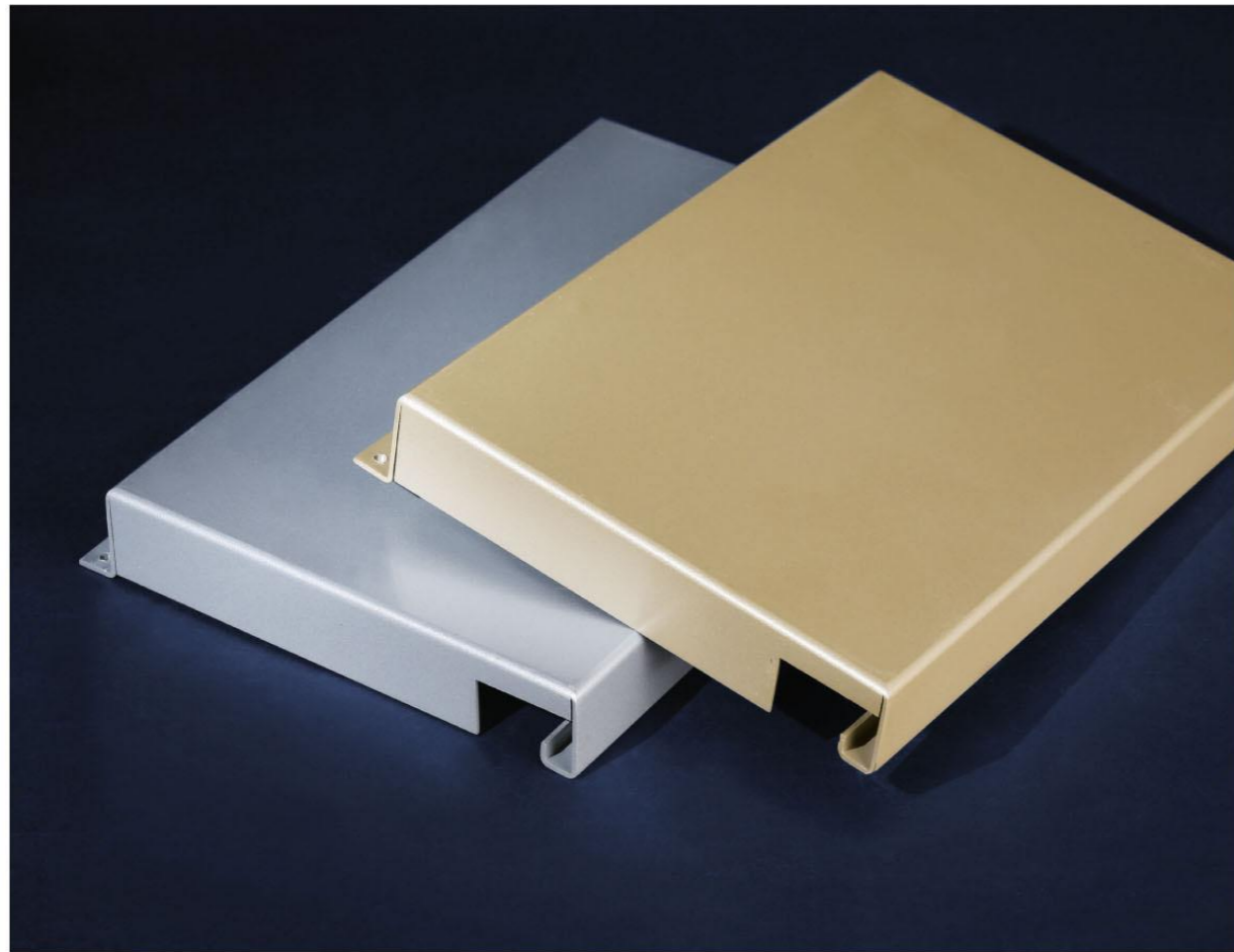
吊码式安装天花板是为了确保金属单板在长期使用的平整度和强度，通过螺栓把加强筋和面板相连接，使其形成一个牢固的整体，从而增加其强度和刚性。它的应用外表看似传统，但内在是经过科技沉淀的结果。

The angle code-mounted ceiling in order to ensure that the the metal veneer in long-term use of flatness and strength, through bolt the ribs and panels connected to form a solid whole, so as to increase its strength and rigidity. Its application look like a traditional, but is After Technology precipitation results.



异型天花吊顶（“7”字吊码）安装说明：

- 1、按设计图纸要求测量异型铝单板天花安装后的标高，确定出天花水平线，在墙体周边水平线位置固定收边角；
- 2、确定施工方向，按≤ 1200mm距离在建筑结构天花上打好吊装孔，用膨胀螺栓固定吊杆；
- 3、固定轻钢龙骨吊件、轻钢龙骨，将轻钢龙骨调至水平同时调整好轻钢龙骨的标高，每条龙骨相互平行；
- 4、用轻钢龙骨吊件倒固定在轻钢龙骨上，安装好M8次吊杆；
- 5、通过自攻自钻螺钉将两件异型铝单板及“7”字吊件连接在一起，固定在M8次吊杆上；
- 6、收边处应根据现场情况量取尺寸，将天花板搭在收边角上。
- 7、安装过程应保持手清洁，不能有汗水、油污等不洁现象。



钩搭天花板系列结构安装图一（轻钢龙骨吊钩搭龙骨）
Crossed ceiling structure installation diagram (light steel keel hanging up keel)

钩搭式天花系列安装说明:

Crossed Ceiling Installation Instruction :

1. 根据同一水平安装收边铝角；
 2. 按1-1.2m间距布置轻钢龙骨或万能角铁（若受标高影响没有空间时也可吊杆直接固定钩搭龙骨），将钩搭龙骨按板宽A的间距，用螺栓固定在龙骨或万能角铁（或吊杆）上；
 3. 调整水平，将钩搭板按顺序钩搭在龙骨上，调整板缝一致，使用拉线进行检查；
 4. 若安装在室外，应在钩搭龙骨上加装防风压片，以达到抗风压的作用；
 5. 要注意钩搭龙骨的平行度以及与上层轻钢龙骨或万能角铁的垂直度，否则会影响板面的安装质量。
1. To install the aluminum angle in same level
 2. Will space the light steel keel or universal angle on 1-1.2m, (if there is no space, can be also fixed keel by cross hanger), will fix crossed keel to keel (or hanger) by screw according to panel width.
 3. Adjust the level, will put the crossed panel on keel to order, and adjust the gap between panel. And check by line.
 4. If installed outdoors, should be added wind proof sheet with windproof keel for wind resistance
 5. Should be paid attention to the keel of the parallel degree and the upper light steel keel, or universal angle iron verticality degree, otherwise it will installation affect of top panel

钩搭式天花系列

Hook-on Ceiling Series



结构简单: 钩搭式方型铝天花系列此结构为单向平行龙骨钩搭式结构；

密拼性强: 铝天花金属天花安装结构，简单稳固，吊顶隐藏，安装及拆卸简便易行，表面十分平整，板与板之间的拼接是通过龙骨有次序搭折在一起的，板边独特的搭勾设计，能很好的控制板与板之间的活动性，从而确保了板与板之间的缝隙更严密平整；

便于维修: 此结构针对维修保养配有独特的检修口设计，而不影响外观美，确保天花板的整体统一美观；

适用范围广: 钩搭式方型铝扣板天花适用于走廊、过道、宾馆、商店、办公室、医院、售票厅、出站通道、中庭等。

Simple structure: The structure for the crossed aluminum ceiling series is one-way parallel to the keel hooked up structure;

Close connect: Aluminum metal ceiling structure, easy and stable, hidden ceiling, installation and removal easy, the surface is very smooth, The connection between the board and the board is through the keel in order to take together, unique hook design of panel side, can be a very good control the activity between the board and the board, so as to ensure the gap between the board and the board more tight formation;

easy maintenance: the structure for supporting maintenance have unique maintenance design without affecting the appearance, ensure the ceiling of the unified whole appearance.

Applicable: corridor, corridor, hotels, shops, offices, hospitals, ticket office, station channel, atrium.





雕刻镂空铝单板

Engraved Hollow Aluminum Panel



镂空作为一种雕刻技术，需要精湛且细腻的工艺。设计师巧妙地将这一元素融入现代建筑装饰中，为我们带来时尚且个性的装饰艺术。雕刻板能够使平面板材不断延伸深入空间感，有透光、透气的的作用。不同图案、大小疏密的孔型变化搭配使物面产生动感，结合不同外形环境进行异型处理，令线条更为明快、飘逸，突破传统造型概念，更适合各种现代高级会所、办公等多种场合，为充满活力的时尚一族开辟了无穷无尽的思维空间，确是实用又美观的新型装饰形式。

Hollow out as an carving techniques, requires skilled and delicate process. Designers cleverly blend this element into modern architectural decoration, to bring us fashion and personalized decorative arts. Carving board can continue to extend the depth of the plane sheet of space sense, there are translucent, ventilate effect. Different patterns, sizes vary with the density of the hole moving object plane generation Sense, combining with different external environment for abnormal shape processing, so that line is more crisp, elegant, Breaking the traditional styling concept, suitable for a variety of modern senior clubs, office and other occasions, open up endless thinking space for energetic fashionistas, it is a new kind of practical and beautiful decorative form really.



随着科技的进步与工艺的成熟，雕刻板被广泛应用于金属幕墙、天花板设计中，艺术雕刻板装饰性较强，而且通过灯光的照射，折射出变幻莫测的绚丽空间。我公司引进多台高精度的雕刻机，并开发设计了多种雕刻图案，也可以根据客户提供图案进行雕刻。

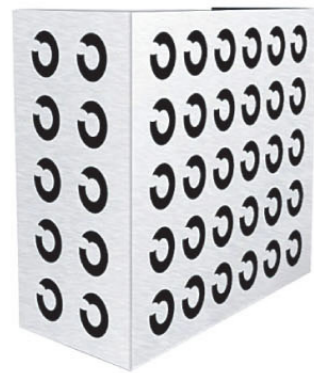
With the advancement of technology and process mature, carved panels are widely used in metal curtain wall, ceiling design, art sculpture panels are highly decorative, and by the light irradiation, a reflection of the vagaries of the brilliant space. The company introduced multiple high-precision engraving machine and the development and design of a variety of carving patterns, customers can also provide the pattern for carving.





空调外机罩

The Outer Cover Of The Air-conditioner



DPL001



DPL002



DPL003



DPL004



机场 加油站 车场 地铁 体育馆 贸易商场 写字楼 办公室 休闲场所

空调外机罩可根据使用要求喷所需颜色。
空调外机罩可根据射流要求调节角度。
可根据用户需要的尺寸订制。

Air-conditioning cover can be sprayed according to the required color.
The air conditioning cover can adjust the angle according to the jet requirements.
Can be customized according to the user's needs.



DPL005



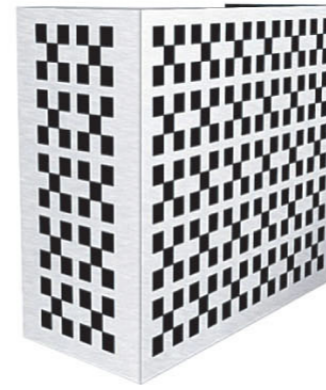
DPL006



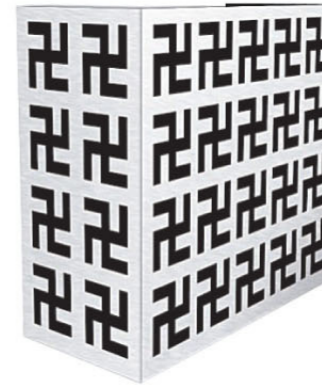
DPL007



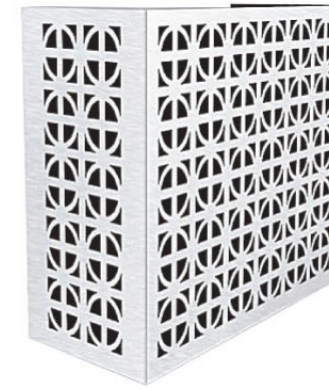
DPL008



DPL009



DPL010



DPL011



DPL012



DPL013



DPL014



DPL015



DPL016



DPL017



DPL018



DPL019



DPL020



造型铝单板

Shape Of Aluminum Panel

通过多年的铝建材制品供应，并随机械化生产的今天，造型铝板已成为设计师们的最爱，用造型传达建筑之语言，用造型体现建筑的特别与另类，个性、时尚唯有造型。造型板加工相对复杂，技术要求更需精确，经多年的生产制造经验已领先铝制建材行业。

Through years of supplying for aluminum building materials products, and with mechanical production nowadays, sculpt aluminum sheet has become the most loved one by designers, conveying the language of buildings through sculpt, demonstrating the unique and differences with sculpt, the only way for personality and fashion is sculpt. Shaped aluminum cladding processing is relatively complicated, technical requirements are more accurate, with years of manufacturing experience, we have been in a leading position in aluminum building material industry.



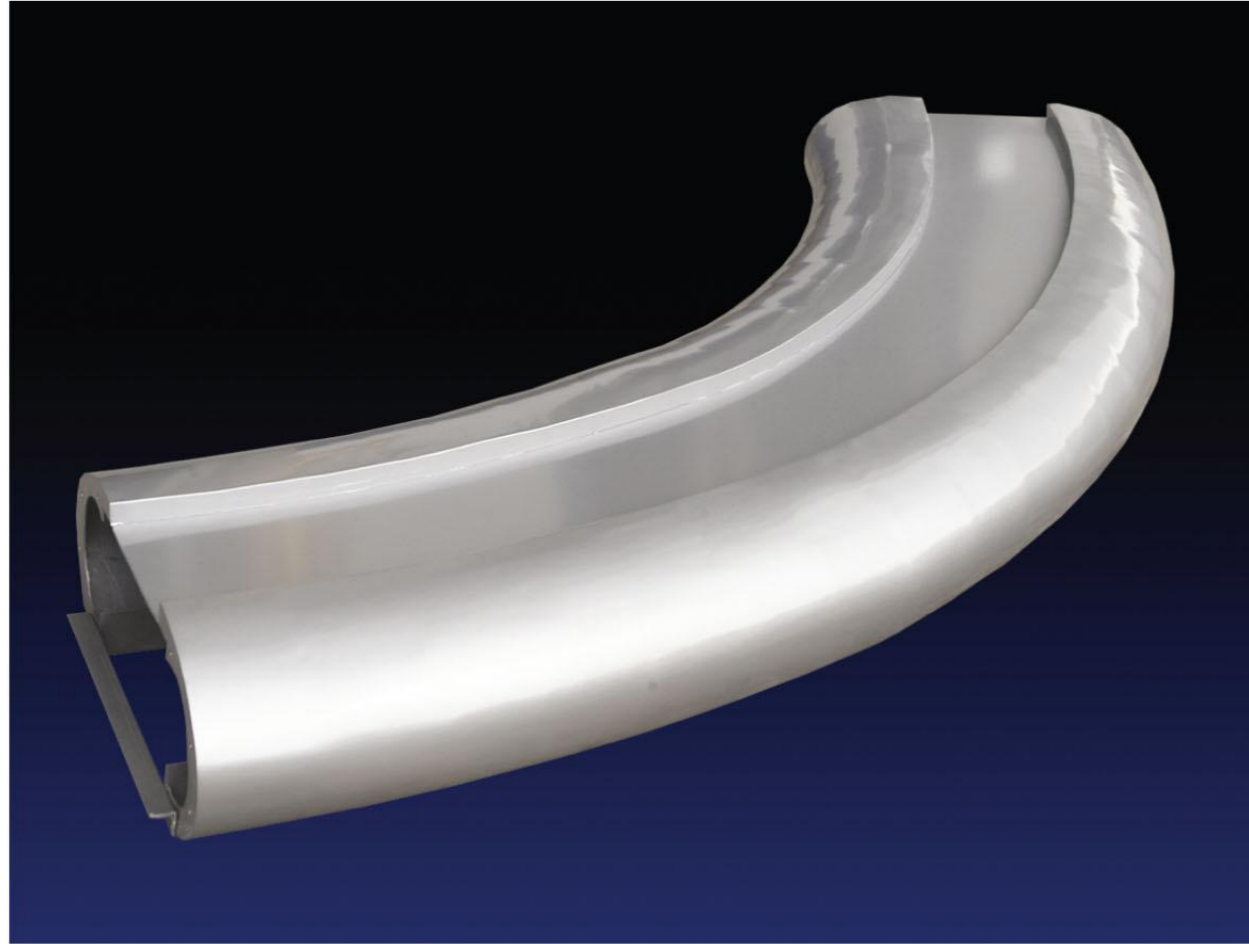
随着科技的进步与工艺的成熟，雕刻板被广泛应用于金属幕墙、天花板设计中，艺术雕刻板装饰性较强，而且通过灯光的照射，折射出变幻莫测的绚丽空间。我公司引进多台高精度的雕刻机，并开发设计了多种雕刻图案，也可以根据客户提供图案进行雕刻。

With the advancement of technology and process mature, carved panels are widely used in metal curtain wall, ceiling design, art sculpture panels are highly decorative, and by the light irradiation, a reflection of the vagaries of the brilliant space. The company introduced multiple high-precision engraving machine and the development and design of a variety of carving patterns, customers can also provide the pattern for carving.









双曲铝单板

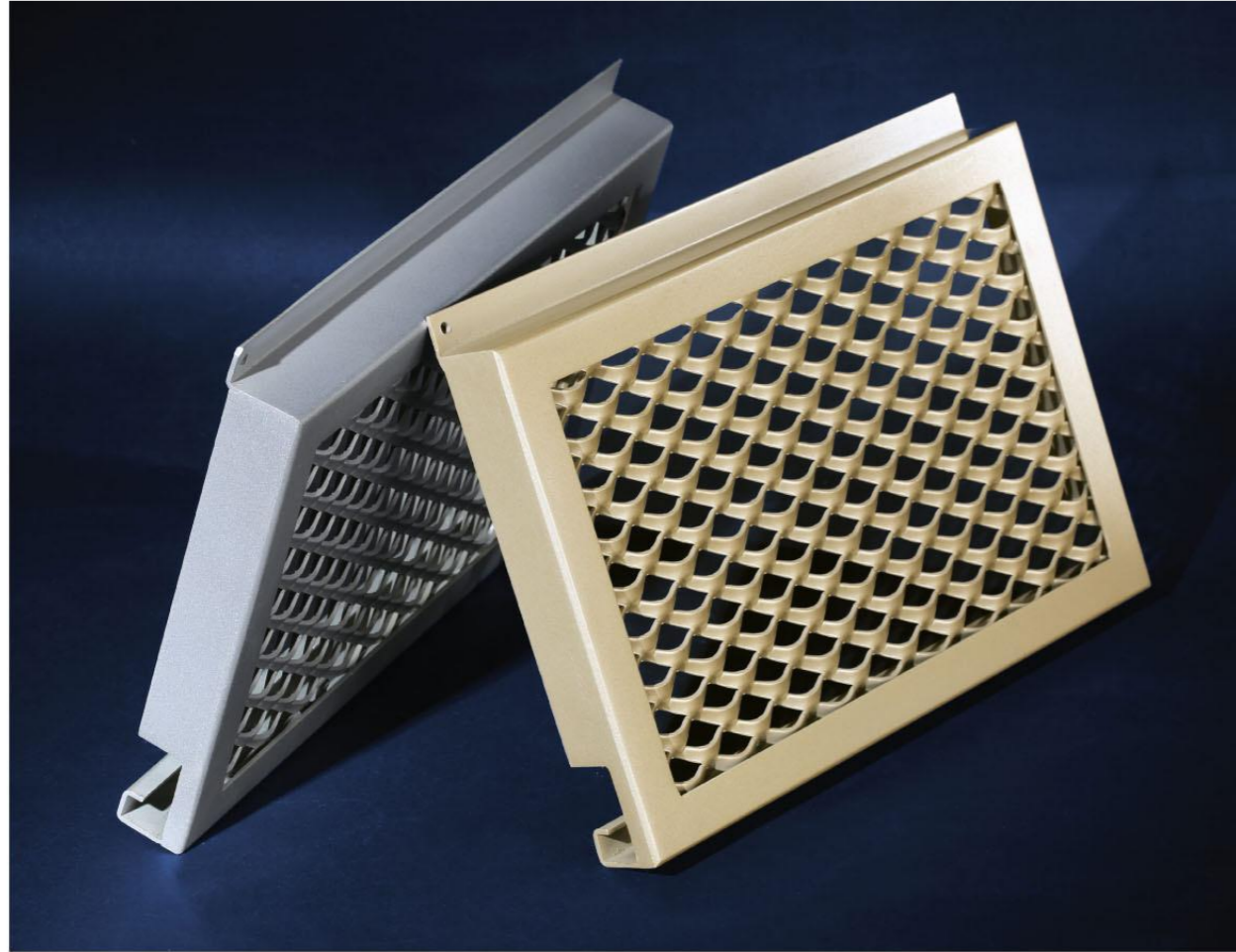
Double-curved Aluminum Panel



双曲面铝单板产品造型奇特、工艺复杂，公司采用德国进口万能成型机，配合专用数控双曲面软件生产出成品，产品精确度高，表面平滑，可任意定制双曲面、球形面，制造出独特美观的立体造型。公司利用蒙皮拉伸技术和三维建模原理，解决了行业的技术难点，板面效果比常见的通过分割焊接生产的双曲板平整度好，安装效果比‘以直代曲’等的双曲弧线更圆滑，公司成为行业中为数不多的双曲面、异型铝单板的企业之一，双曲产品为设计师提供了更为广阔的设计空间，充分展示了双曲面铝单板在金属幕墙上无可替代的特点。

Hyperbolic aluminum panel products are peculiar shaped, complex process, the company use universal molding machines imported from Germany, with special CNC hyperbolic Software to produce the finished products during short time, the product with high precision and smooth surface, can be customized hyperboloid and spherical surface at will, creating a unique Beautiful three-dimensional modeling. Company use skin stretching techniques and three-dimensional modeling principle to solve the technical difficulties of the industry, the board effect is much better than the usual hyperbolic plate by dividing welding production in flatness, more sleek in installation effect better than the 'replace curves by straight lines' and any other hyperbolic arc lines, the company became one of the few manufacturing enterprise for hyperbolic, abnormal shape aluminum panel in the industry. The hyperbolic products provide designers a broader design space, fully shows hyperboloid aluminum veneer irreplaceable characteristics on metal curtain wall.





金属拉网天花系列

Metal Network Ceiling Series



金属拉网在建筑工程中常用于室外幕墙，室内隔断，室内吊顶等。法国建筑师多米尼克·佩罗率先将这种材料创造性引入建筑装饰面领域，在1989-1995年设计建成的法国国家图书馆，1992-1999年设计建成的德国奥林匹克自行车馆和游泳馆都开创了大面积金属丝网应用的先河。之后，海墨特·扬设计的德国索尼中心也尝试将这种材料用于建筑外墙饰面。这种特殊材料质感形成一种不同于玻璃的朦胧透视，金属反射光泽效果。金属拉网是由铝板经冲压拉伸而成，表面具有网孔的装饰效果。由于网孔多样，因此不同的孔眼风格也呈现不同效果。建筑装饰网具有不燃性，高强，坚固，易于维护，功能性强，装饰效果生动、强烈，并能很好的对建筑结构物起美化、装饰和保护作用。

Decorative aluminum expanded network often used outdoors in construction walls, interior partition, ceiling and other interior. French architect Dominique Perot took the lead in this material into the building facing the field of creativity, design built in the 1989-1995 National Library of France from 1992 to 1999, the German design built in the Olympic Velodrome and swimming pool have created a large metal mesh applications precedent. After the sea Mott. Yang designed the Sony Center in Germany also try to use this material for the construction of external walls. This special material texture form a perspective different from the hazy glass, metal reflective gloss.

Decorative aluminum from aluminum to expand network by punching stretching, decorative surface with a mesh effect. As the mesh varied, so different hole styles also show different results. Architectural network with non-flammable, high strength, sturdy, easy to maintain, functional, decorative effect vivid, strong, and can be very good for building structures from the landscaping, decoration and protection....



金属拉网铝板是由原张铝板采用最新科技经切割扩张而制成，其网身更加轻便而且承载力强。最常见的铝板网是菱形孔的，其他孔型还有六角型、鱼鳞孔等。

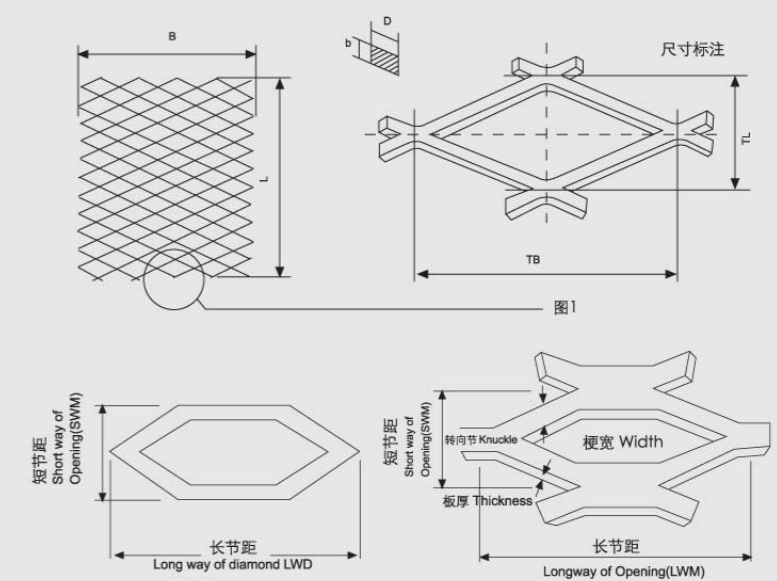
The metal mesh aluminum plate is made by cutting and expanding the original aluminum plate with the latest technology. The most common aluminum mesh is rhombic holes, other holes are hexagonal, fish scale holes.

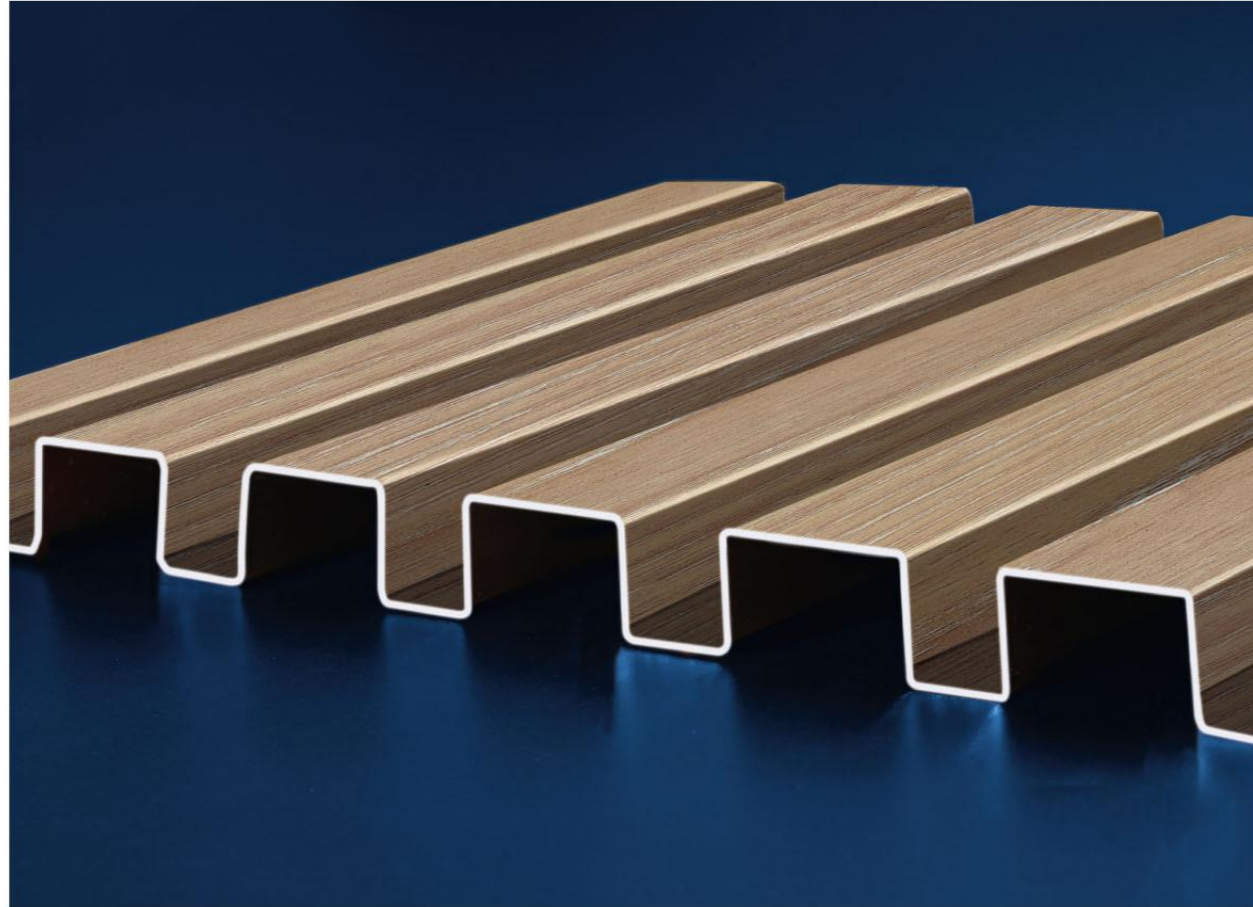
金属拉网天花安装实例

Metal Network Ceiling Installation Sample

- 铝板网规格示意图
- 短节距-短的菱形孔对角线
- 长节距-长的菱形孔对角线
- 节点-两根丝梗的连接处
- 丝梗厚度或板条厚度-板材厚度
- 网宽-长节距方向距离
- 网长-短节距方向距离

- Aluminum mesh size diagram
- SWD - short way of diamond
- LWD-long way of diamond
- BOND-where two strands intersect
- STARND THICKNESS-length of the metal used to produce one strand
- LWM(width)-mesh sheet size, the distance of lwd direction
- SWM(length)-mesh sheet size, the distance of swd direction





长城板

Great Wall Panel



- 1、重量轻，刚性好、强度高3.0mm厚铝板每平方米重8kg，抗拉强度100-280n/mm²
- 2、耐久性和耐腐蚀性好。采用kynar-500、hylur500为基料的pvdf氟碳漆，可用25年不褪色。
- 3、工艺性好。采用先加工后喷漆工艺，铝板可加工成平面、弧型和球面等各种复杂几何形状。
- 4、涂层均匀、色彩多样。先进行静电粉末喷涂技术使得油漆与铝板间附着均匀一致，颜色多样，选择空间大。
- 5、不易玷污，便于清洁保养。氟涂料膜的非粘着性，使表面很难附着污染物，更具有良好向洁性。
- 6、安装施工方便快捷。铝板在工厂成型，施工现场不需裁切，固定在骨架上即可。
- 7、可回收再利用，有利环保。铝板可100%回收，不同于玻璃，石材，陶瓷，铝塑板等装饰材料，回收残值长城板。
- 8、应用场合：建筑物外墙、梁柱、阳台、雨棚、车站、医院、会议厅、歌剧院、体育场馆、接待大堂等等高层建筑物。

- 1, light weight, good steel, high strength 3.0mm thick aluminum plate per square weight 8kg, tensile strength 100-280n / mm²
- 2, durability and corrosion resistance. Using kynar-500, hylur500 as the base material pvdf fluorocarbon paint, available for 25 years without legs color.
- 3, good craftsmanship. The first process after the use of paint, aluminum can be processed into a flat, curved and spherical and other complex geometric shapes.
- 4, uniform coating, color and diverse. First electrostatic powder coating technology makes the adhesion between the paint and aluminum uniform, color and diverse, large selection of space.
- 5, easy to tarnish, easy to clean and maintenance. Fluorine coating film non-adhesive, so that the surface is difficult to attach contaminants, more good to clean.
- 6, installation and construction convenient and quick. Aluminum in the factory shape, the construction site without cutting, fixed on the skeleton can be.
- 7, recyclable, environmentally friendly. Aluminum can be 100% recovery, different from the glass, stone, ceramics, aluminum-plastic panels and other decorative materials, recycling residual value of the Great Wall board.
- 8, the application of: external walls, beams, balconies, canopy, station, hospital, conference hall, opera house, sports venues, reception lobby and so on high-rise buildings.





采用弧形铝方通和常规铝方通进行组合安装，而极具风格。并且适合于很多场合安装使用，并且有不错的装修效果。

It is combined with a curved aluminum square pass and a conventional aluminum square pass, which is very style. And it is suitable for installation and use in many occasions, and has a good decoration effect.

弧形方通天花

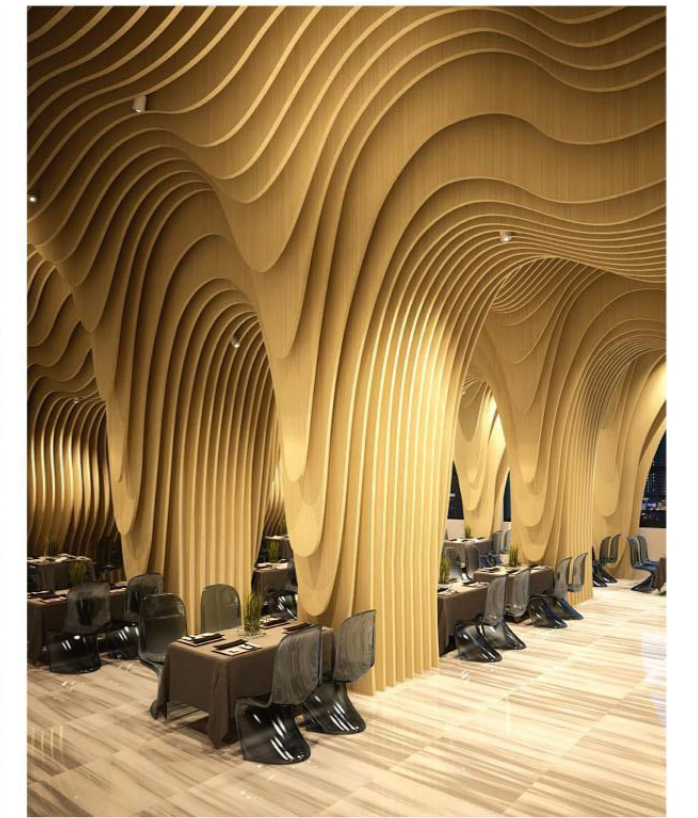
Alien prescription Ceiling



型材弧形方管天花，可塑造不同的形状性，通透开阔，立体感强烈，棱角线条清晰明朗，新颖独特。可调节装饰空间视觉高度，搭配各种不同颜色，悬挂不等高度，引入不同灯光效果，相益辉映，展现明快、飘逸、时尚、谐美的装饰风格。加以防风码安装结构，应用于室外装饰能有效防风，效果更鲜明。通透的安装方法，装拆简易快捷。

U-side control of ceiling, highly directional, open, transparent, three-dimensional sense of strong, angular lines clear clear, novel and unique. Visual space decorated adjustable height, with a variety of different colors, ranging from a high flying, the introduction of different lighting effects, with benefits to showcase to show a crisp, elegant, fashion, style harmonic beauty. Wind structure of code to be installed, used in outdoor decorative effective wind, the effect is more clear-cut. Permeability of the installation method, Assembly and Disassembly, simpler and quicker.







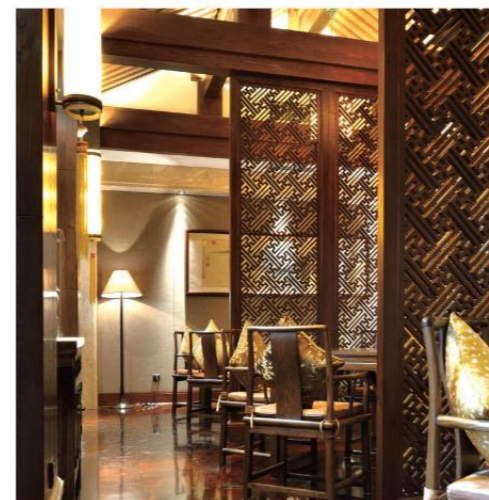
窗花系列

Window Grille Series



隔断是划分空间不可缺少的设计元素，主要作用是分隔空间，给空间增添遮挡和增加层次，但又不像整面墙体那样将居室完全隔开，而是隔而不断，所以在家中的很多空间都需要做隔断。而对于小户型的隔断设计，要考虑空间的通透性，这样才能使空间不拥挤。

Partition is an indispensable part of the space design elements, the main role is to separate the space, to add space and increase the level of shelter, but unlike the entire wall as completely separated from the room, but every other constantly, so many at home Space needs to be cut off. For the small size of the partition design, we must consider the permeability of space, so as to make the space is not crowded.



塑性好，样式多，构造科学

Good Plastic, Many Patterns, Structural Science

铝合金杰出的热挤压功能，可按的力学构造和外观技术请求制造成各种形状复杂的空、实心型材，不只能提高等量资料的机械功能，也增加了护栏商品的实用性和装饰性。

Aluminum alloy excellent hot extrusion function, can be made according to the mechanical structure and appearance of the technical request into various shapes of complex air and solid material, not only can improve the mechanical function of the same data, has increased the guardrail products is practical and decorative.

质感柔，色泽靓，显示个性

Soft Texture, Beautiful Color, Show Personality

铝合金优秀的外表可处理性，杰出的附着牢度和外表质感不只使铝合金成品可以有多种外表处理方式挑选，且安稳耐久耐用，从色泽和外观上为商品增加个性化。

Aluminum alloy can be sure the outstanding appearance, excellent adhesion fastness sense not only make the appearance and handling choose aluminum alloy products can have a variety of appearance, safe, durable and durable, from color and appearance to commodity individuation.

自重轻，强度高，适应年代

Light Weight, High Intensity, Adaptive Age

铝合金的构造强度高，且仅有不到钢铁三分之一的质量，增加了建筑体的全体承重才能。加上杰出的耐性，可焊接性等多种功能优势组合，格外适用于高层建筑中运用。

The construction strength of aluminum alloy is high, and it is less than one-third of the quality of steel, which increases the overall capacity of the building body. Combined with excellent patience, weldability and other functional advantages, it is especially suitable for use in high-rise buildings.

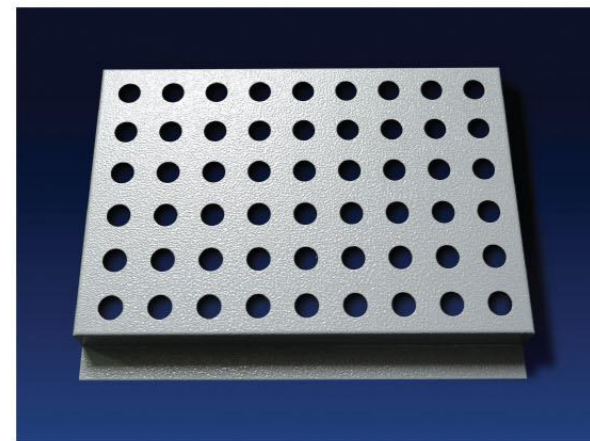


汽车4S店

Car 4S Shop

“服务顾客 永无止境”，只有站在顾客的角度为顾客着想，才能真正赢得市场。

“Serving customers is never ending”, and only by standing in the customer's perspective, can we truly win the market.



广汽传祺4S店 - 外幕墙板



广汽传祺4S店 - 室内天花板



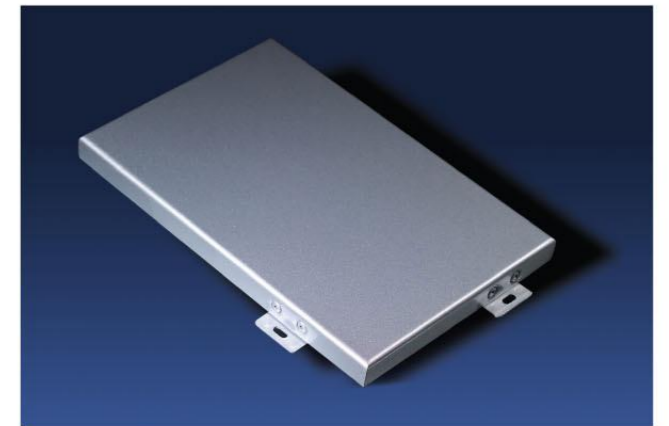
德普龙

以一诺千金的企业形象根植于铝材行业，紧追时代，因时代发展而不断提升技术力。科技领先，高科技的技术支持庞大的生产力。专业服务的真诚承诺赋予德普龙品牌个性色彩，我们相信，用卓越的品质造就辉煌明天，以恒久承诺追求完美成功。

It is rooted in the aluminum industry with a corporate image of a promise, and the times are constantly evolving due to the development of the times. Leading technology, high-tech technology supports huge productivity. The sincere commitment of professional services gives DEPULONG brand personality, we believe that with outstanding quality to create brilliant tomorrow, with a long-term commitment to the pursuit of perfect success.



启辰4S店 - 室内天花板



启辰4S店 - 室外幕墙板

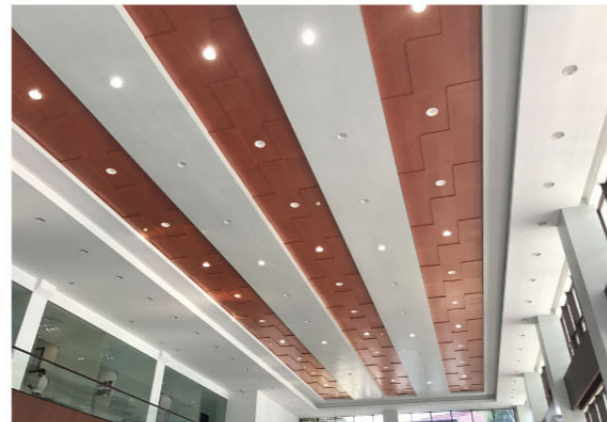


汽车4S店

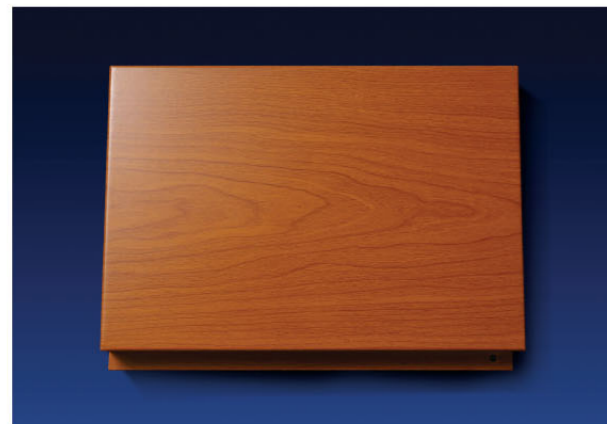
Car 4S Shop

品牌标识体现了现代科技和人文精神中的无限、沟通、延伸内涵

Brand identity reflects the infinity, communication and extension of modern science and humanism



广汽本田4S店 - 室内天花板



广汽本田4S店 - 室内天花板



广汽本田4S店 - 室外幕墙板



汽车4S店

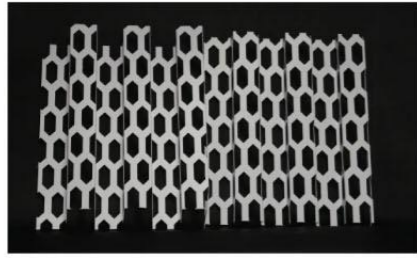
Car 4S Shop

红旗4S店

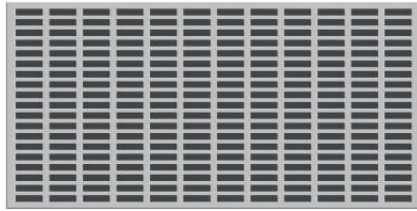
实现品牌扩张和企业规模的跳跃提升，向国际化现代企业集团迈进。

Achieve brand expansion and jump in the scale of the company, and move toward an international modern enterprise group.





奥迪4S店 - 外墙装饰镂空板



奥迪4S店 - 室内天花板



奥迪4S店



广汽新能源4S店



保时捷4S店



保时捷 - 室外幕墙板

汽车4S店

Car 4S Shop



德普龙



雷克萨斯4S店



领克4S店



镀锌钢板系列

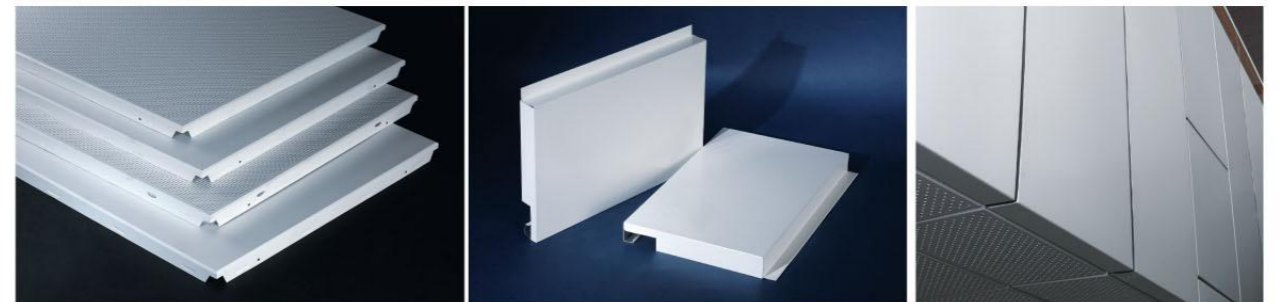
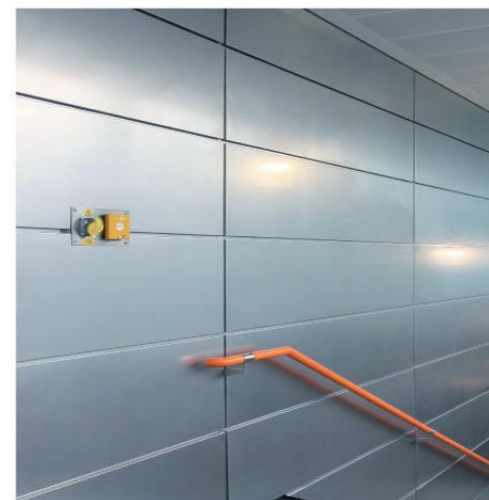
Galvanized Steel Ceiling

幕墙板 / 方板 / 条形板



镀锌钢板，是一种新型建筑用材，是在表面电镀一层金属锌，主要起到防腐的作用。表面电镀一层约1毫米的金属锌的钢板，具有防腐的作用，在建筑行业中应用比较广泛，这种涂锌的薄钢板称为镀锌板。镀锌是一种经常采用的经济而有效的防腐方法。全世界锌产量的一半左右均用于此工艺。

Galvanized steel, is a new type of building materials, is in the surface of a layer of metal zinc plating, mainly play the role of anti-corrosion. Surface plating of a layer of about 1 mm of zinc metal plate, with anti-corrosion effect, in the construction industry in a wide range of applications, this zinc coated steel plate called galvanized sheet. Galvanizing is an economical and effective method of corrosion protection. About half of the world's zinc production is used for this process.



ALUMINUM HONEYCOMB PANEL

铝蜂窝板系列

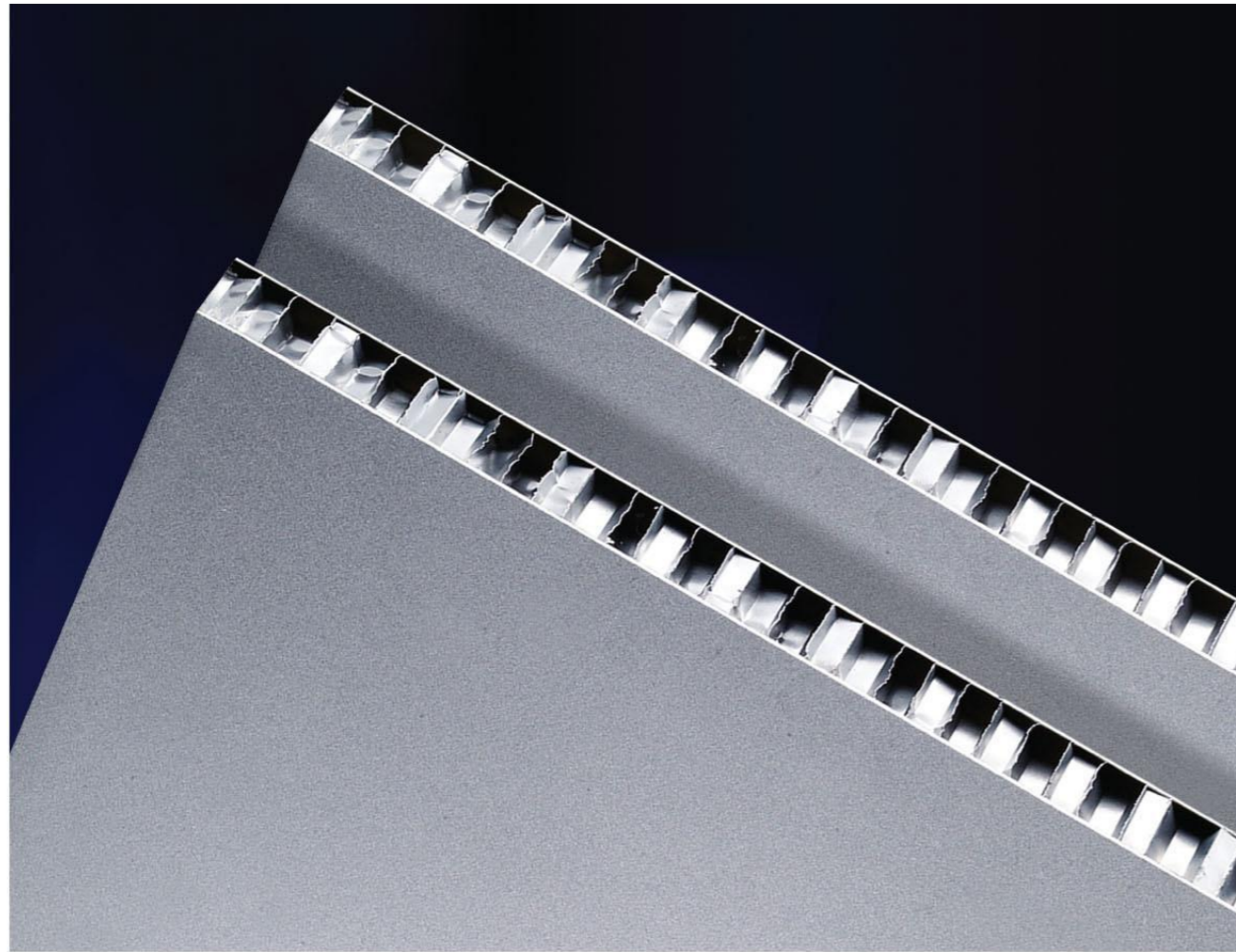
城市艺术 前行者

CITY
FUTURE
ART
PLAN

65/66

该产品选用优质的进口原材料，加工尺寸精确。表面采用先进的预辊涂氟碳漆工艺，可保持三十年不变色。采用双组份高分子环氧胶膜和双组份改性环氧树脂，通过全封闭无尘作业，用全自动蜂窝板复合生产设备通过加压高温复合而成，使铝蜂窝板粘接更牢固，更抗弯折，板块更平直，质量更可靠。可根据建筑设计要求制作弧板、折板及梯形板等各式异形蜂窝板，所有的圆弧型、L型、U型等非平面的异形板块都是通过模具一次性成型的。

The product is made of high quality imported raw materials with precise processing dimensions. The surface is made of advanced pre-roller fluorocarbon paint process, which can maintain no discoloration for 30 years. The two-component polymer epoxy film and the two-component modified epoxy resin are used to completely bond the dust-free operation, and the automatic honeycomb composite production equipment is combined by pressing high temperature to make the aluminum honeycomb board bond more. Strong, more resistant to bending, flatter plates and more reliable quality. All kinds of irregular shaped honeycomb plates, such as arc plates, folding plates and trapezoidal plates, can be made according to the architectural design requirements. All arc-shaped, L-shaped, U-shaped and other non-planar shaped plates are molded at one time through the mold.



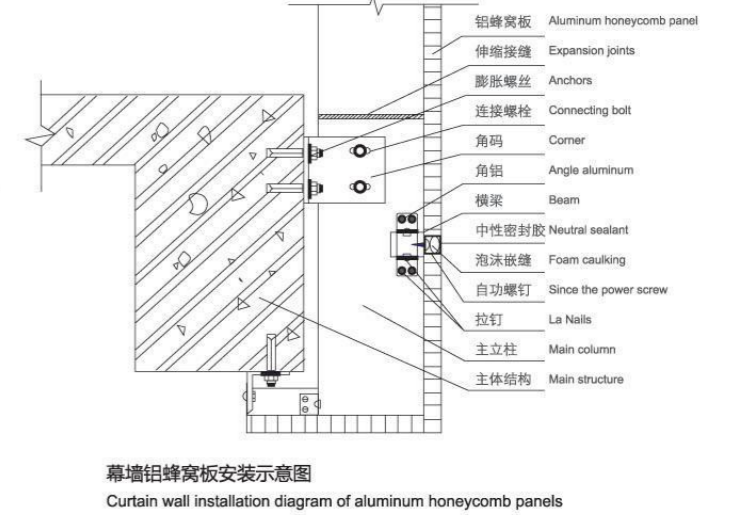
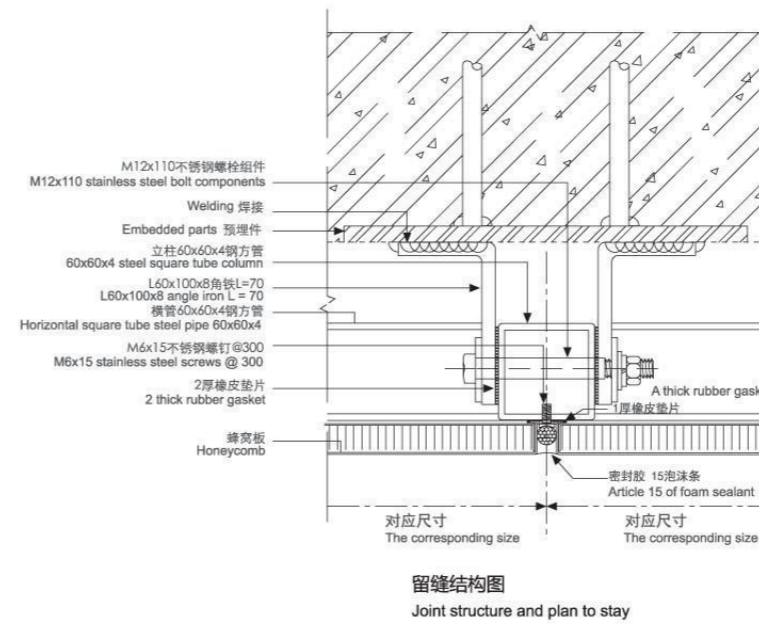
金属蜂窝幕墙板

Metal Honeycomb Wall Panels

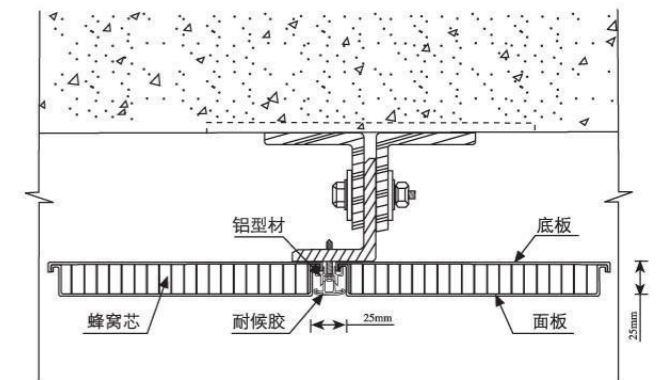
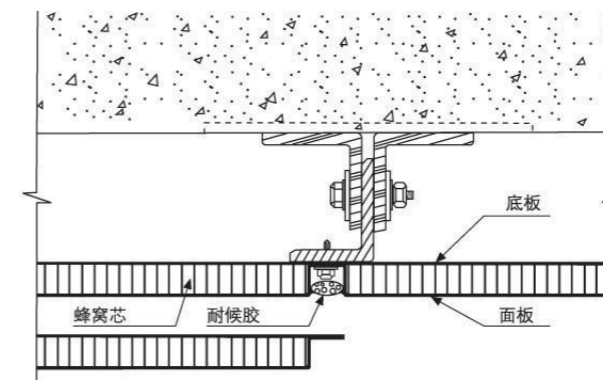


幕墙铝蜂窝板主要应用于大厦的外墙装饰，该产品选用优质的进口原材料，加工尺寸精确。表面采用先进的预辊涂氟碳漆工艺，可保持三十年不变色。本公司采用双组份高分子聚氨酯胶膜和双组份改性聚氨酯，通过全封闭无尘作业，用全自动蜂窝板复合生产设备通过加压高温复合而成，使铝蜂窝板粘接更牢固，更抗弯挠，板块更平直，质量更可靠。可根据建筑设计要求制作弧板、折板及梯形板等各式异形蜂窝板，所有的圆弧形、L形、U形等非平面的异形板块都是通过模具一次性成型的，同一项目只采用同批铝卷，无色差现象。属一种高质量、轻质、高强度、外表豪华富丽的绿色环保装饰材料。

Curtain wall aluminum honeycomb panels of brand are mainly used for the decoration of the external walls of high-rises. These products are made of high-quality imported raw materials, and processed with high precision. Its surface employs the advanced technique of fluorocarbon lacquer pre-coil coating, which can keep the color unchanged for 30 years. The company has adopted hi-component polymeric epoxide membrane and bi-component modified epoxy resins and has used fully automatic compound manufacturing facilities of honeycomb panels to compound under pressurized high temperature through completely closed and dust-free operation, which makes the honeycomb panels stickier, more bending resistant, straighter, and thus steadier and more reliable in quality. All kinds of alloyed honeycomb panels, such as curl panels, folded panels and trapezoidal panels, can be fabricated according to the requirements of architectural design. All the alloyed panels with non-planar surfaces, such as circular arc, L shaped and U shaped, are produced by one-step forming with dies. Products of the same type adopt the same coil coating aluminum rollers, thus no chromatic aberration will occur. It is a kind of organic and environmentally protective decorative material with high quality, light, high intensity and magnificent appearance.

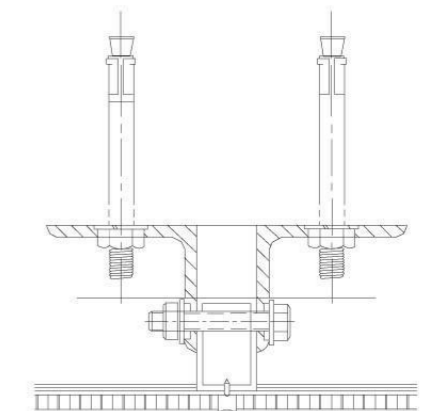
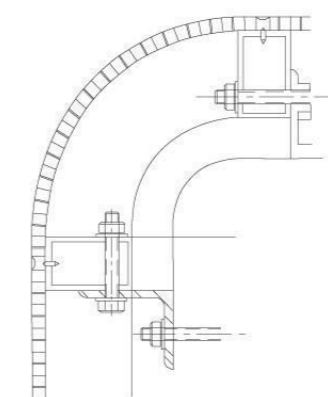
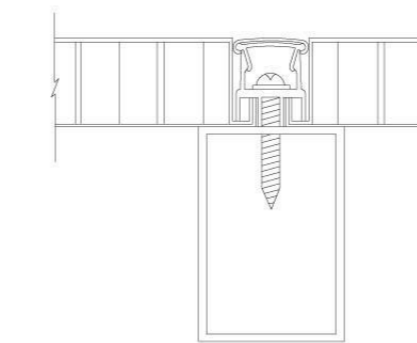


铝蜂窝板节点图 Aluminum Honeycomb Pane Node Map



自身连接解码安装节点图
Oneself conjunction the decoding install node diagram

型材扣压式安装节点图
The type material buttons up the press type gearing node diagram



蜂窝板扣压式安装图
Sketch Map of Installation Honeycomb panel Button type

铝蜂窝板圆角剖面图
Round corner section plane

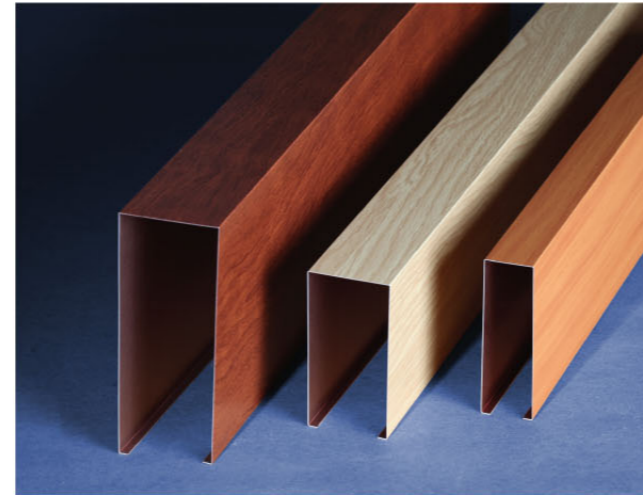
铝蜂窝板节点构造
Aluminum Honeycomb panel node sturce

U型铝方通天花

U-shaped Aluminum Square Ceiling

一种装饰性天幕型吊顶，可调节房屋视觉高度，并可隐藏楼底的所有管道和其他设施，同时还可以使进入房间的阳光或灯光柔和均匀。具有开放的视野，通风、透气，其线条明快整齐，层次分明，体现了简约明了的现代风格，安装拆卸简单方便，成为近几年风靡装饰市场的主要产品。

A decorative backdrop ceiling, adjustable vision height, and can conceal all pipe and other facilities, and also can make the room into the sunlight or even soft lighting. It has open vision, ventilation, breathable, lively and tidy line, distinct, reflected contracted modern style, simple and convenient operation, become main products in popular decoration market.

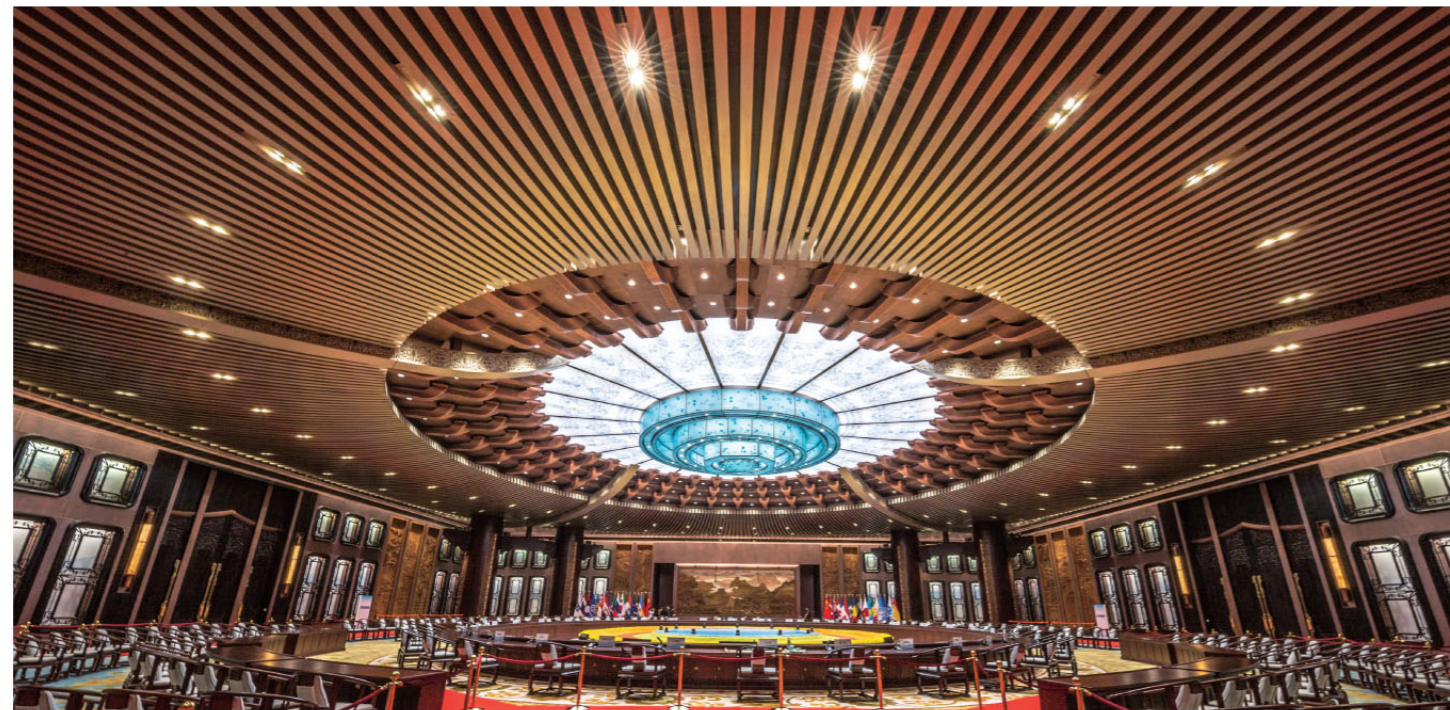


型材方通

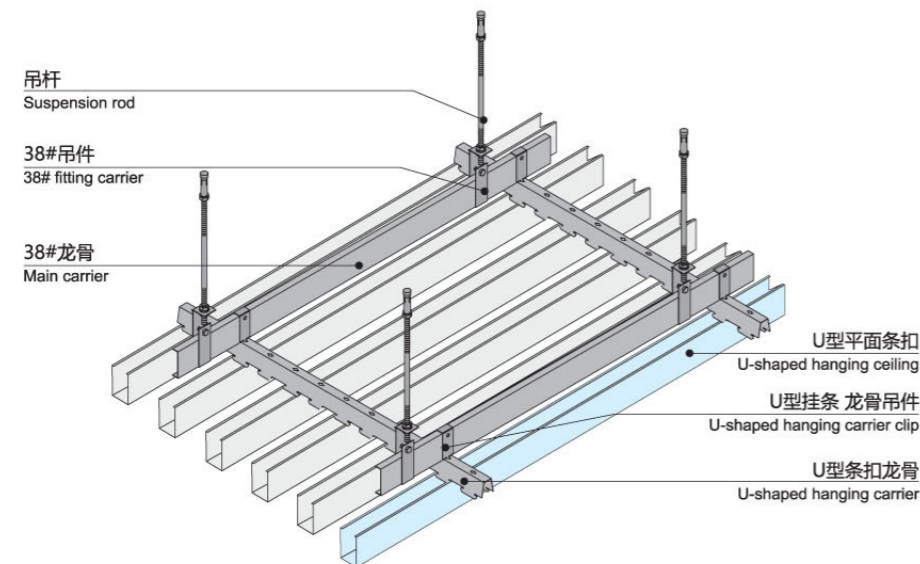
Profiles Square Tube

型材方通通过连续滚压或冷弯成型，安装结构为专用龙骨卡扣式结构，安装方法简单方便，适用于室内装饰。产品有着开透、吸音和装饰等功能，并且具备现代时尚效果。通过面板高度、方向以及照明和颜色的变化，将吊顶表现得更加通透和富有动感。应用于写字楼、图书馆、机场等。

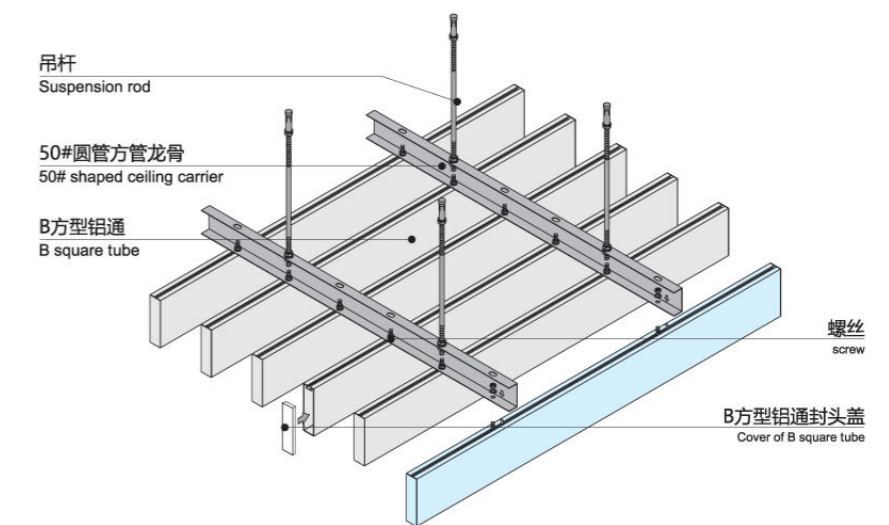
The profile is formed by continuous rolling or cold bending, and the installation structure is a special keel snap-on structure. The installation method is simple and convenient, and is suitable for interior decoration. The products are open, sound absorbing and decorative, and have modern fashion effects. The ceiling is made more transparent and dynamic through panel height, orientation, and changes in lighting and color. Used in office buildings, libraries, airports, etc.



U型铝方通天花安装实例
U-shaped Aluminum Square Ceiling Installation Sample



型材方通安装实例
Profiles Square Tube Installation Sample





明架方板

General-side Lay-in Ceiling

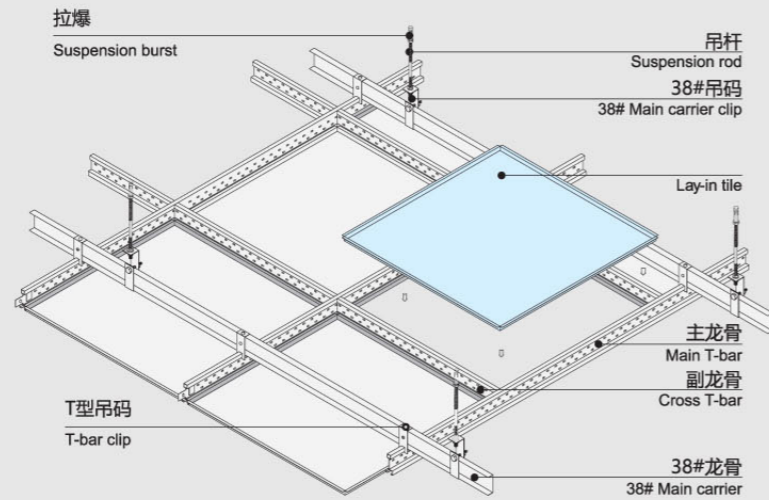
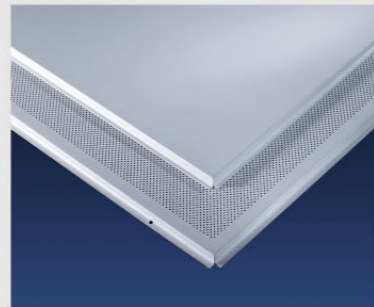


- 吸音:德国soundtex无纺布, MRC0.65~0.8
- 表面处理: Akzo Nobel静电粉末喷涂、涂厚0.06~0.1mm
- 自定义类型: 特殊尺寸、冲孔类型、表面颜色、安装配套可按需定做
- 安装系统: 黑槽龙骨平铺式系统、T字龙骨嵌入式系统
- 形状: 正方形、长方形
- 材质: AA级铝合金
- 板厚: 0.8mm~1.2mm
- 冲孔类型: 多种模型、多种图案提供选择
- Sound absorption: Germany soundtex, MRC0.65~0.8
- Surface: Akzo Nobel powder coating, and the thickness of coatings is 0.06~0.1mm
- User type: Special size, kinds of punch, surface colors and assembly of installation, that could be to orders
- Installation System: Black groove level type system and T-shaped carrier system
- Shape: Square and rectangle
- Thickness: 0.8mm~1.2mm
- Kinds of punch: More size and pattern to choice
- Workmanship: Compression moulding forming
- Material: Grade AA aluminum alloy

明架方板安装实例

General-side Lay-in Ceiling Installation Sample

常用规格(Size):
600×600mm, 600×1200mm



暗架方板

General-side Clip-in Ceiling

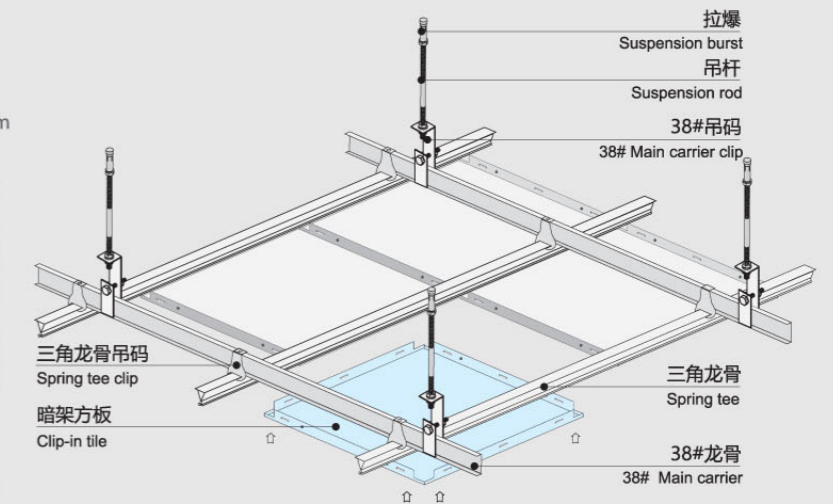


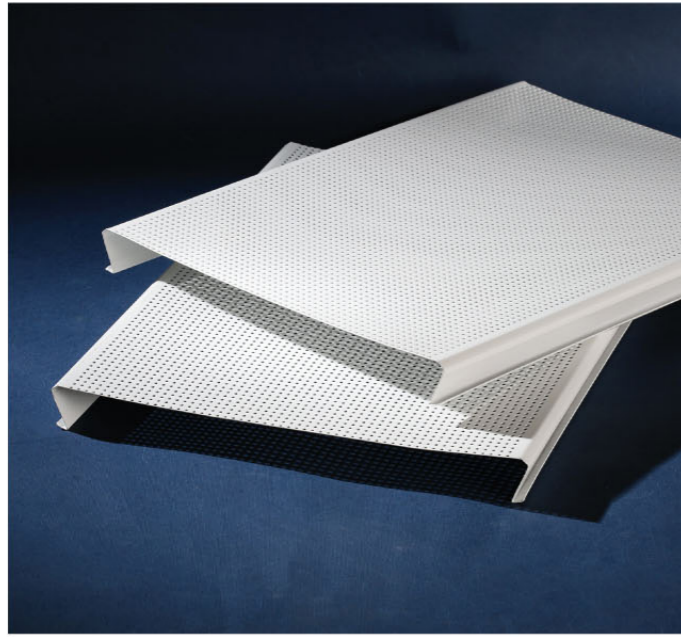
- 吸音:德国soundtex无纺布, MRC0.65~0.8
- 表面处理: Akzo Nobel静电粉末喷涂、涂厚0.06~0.1mm
- 自定义类型: 特殊尺寸、冲孔类型、表面颜色、安装配套可按需定做
- 安装系统: 黑槽龙骨平铺式系统、T字龙骨嵌入式系统
- 形状: 正方形、长方形
- 材质: AA级铝合金
- 板厚: 0.8mm~1.2mm
- 冲孔类型: 多种模型、多种图案提供选择
- Sound absorption: Germany soundtex, MRC0.65~0.8
- Surface: Akzo Nobel powder coating, and the thickness of coatings is 0.06~0.1mm
- User type: Special size, kinds of punch, surface colors and assembly of installation, that could be to orders
- Installation System: Black groove level type system and T-shaped carrier system
- Shape: Square and rectangle
- Thickness: 0.8mm~1.2mm
- Kinds of punch: More size and pattern to choice
- Workmanship: Compression moulding forming
- Material: Grade AA aluminum alloy

暗架方板安装实例

General-side Lay-in Ceiling Installation Sample

常用规格(Size):
300×300mm, 400×400mm, 500×500mm
600×600mm, 300×600mm, 300×1200mm
600×1200mm





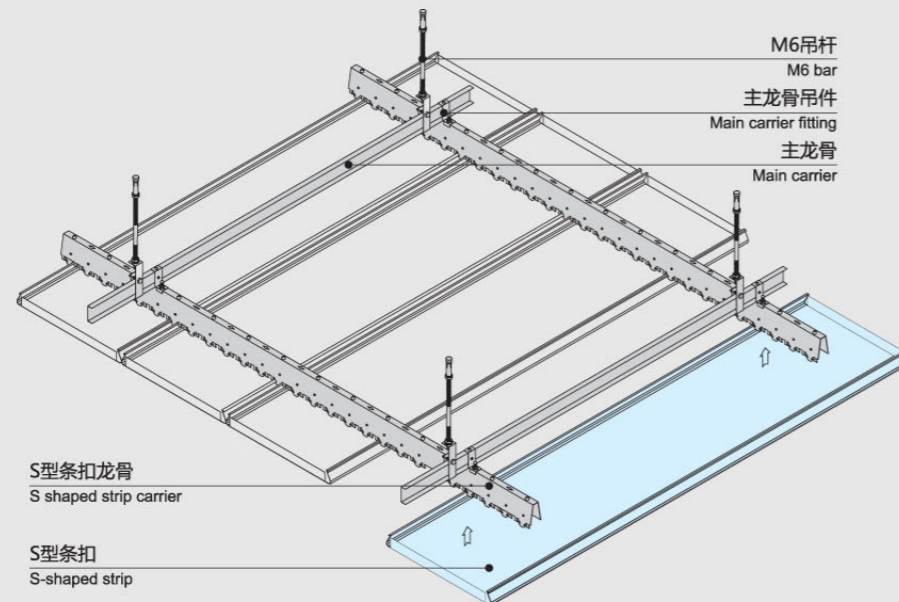
S型条扣天花 S Strip Ceiling

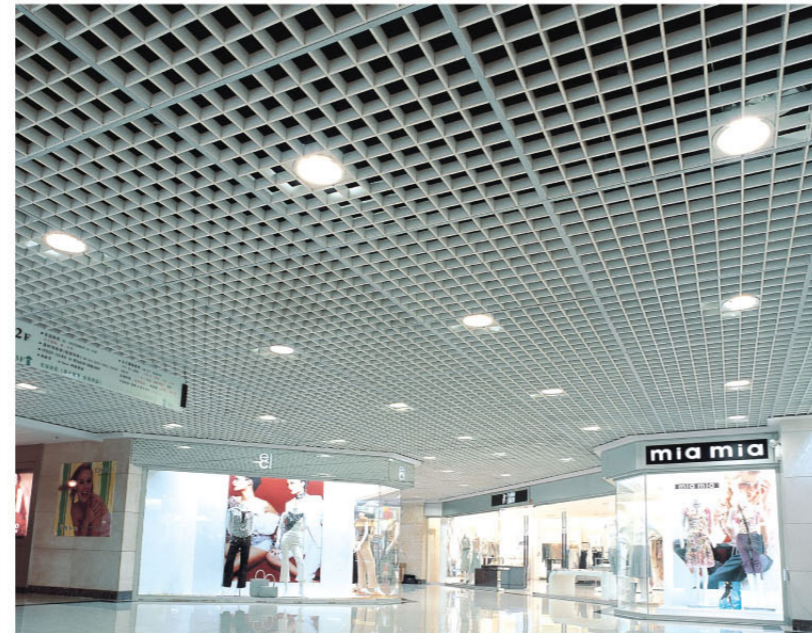


- 形状:长条形
- 材质:AA级铝合金
- 板厚:0.8mm~1.2mm
- 冲孔类型:多种模型、多种图案提供选择
- 制造工艺:模压成型或连续辊压机械成型
- 常用规格: S 型封闭式 (200、300) 面、长度≤6000mm
- 吸音:德国soundtex无纺布, MRC0.65~0.8
- 表面处理:Akzo Nobel静电粉末喷涂、涂厚0.06~0.1mm
- 自定义类型:特殊尺寸、冲孔类型、表面颜色、安装配套可按需定做

- Shape: Rectangle ■ Material: Grade AA aluminum alloy ■ Thickness: 0.8mm~1.2mm ■ Kinds of punch: More size and pattern to choice
- Workmanship: Compression moulding forming or continuous rolling press forming
- Common specifications: S-shaped (200,300), that is equal to or less than 6000mm in length ■ Sound absorption: Germany soundtex, MRC0.65~0.8
- Surface: Akzo Nobel powder coating, and the thickness of coatings is 0.06~0.1mm
- User type: Special size, kinds of punch, surface colors and assembly of installation, that could be to orders

S型条扣天花安装实例 S Strip Ceiling Installation Sample





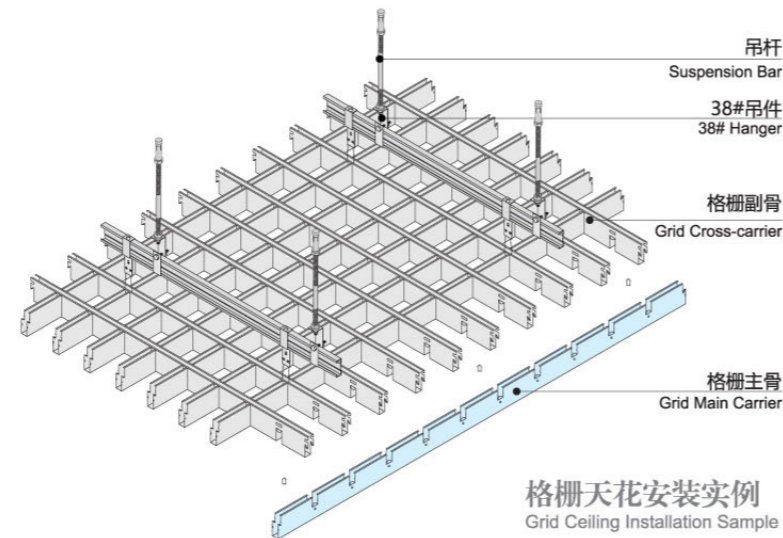
格栅天花

Grid Ceiling



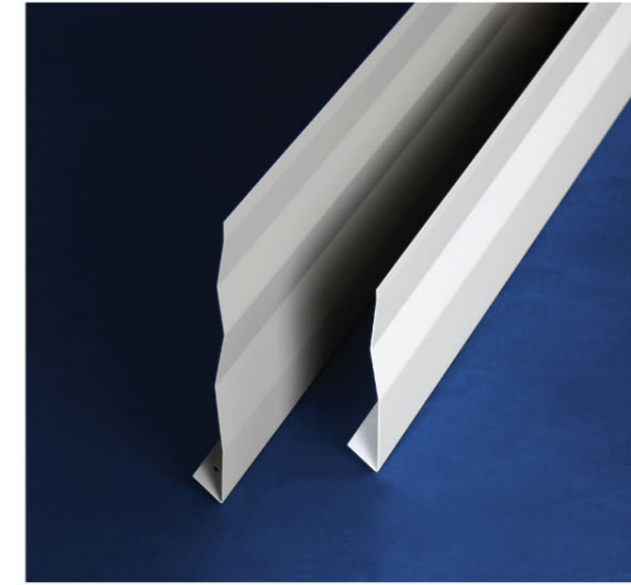
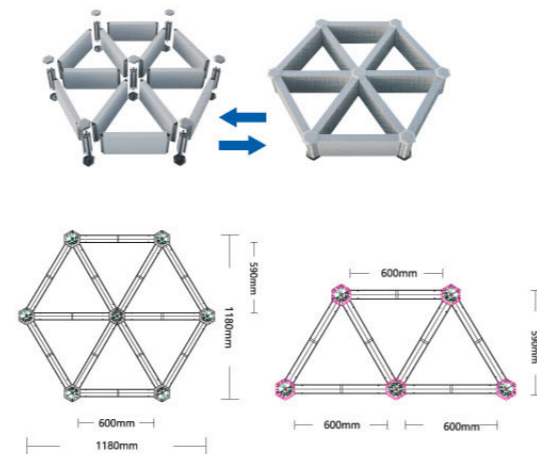
格栅天花, 通风性能好, 通透式结构, 纵横交错的天花主副骨组合方格, 线条挺直, 经纬分明, 具有掩饰视觉方向感, 能有效舒缓空间带来的压抑感。适合大面积场所使用安装。

The grid ceiling that has ventilating function and transparent construction, The outline of series is clear and natural and graceful, people like it very much! The host carrier and vice-carrier adopt the fine aluminum alloy board in material. This grid ceiling can be used in the extensive places.



三角格栅天花

Triangular Grille Ceiling



挂片天花系列

Screen Ceiling Series

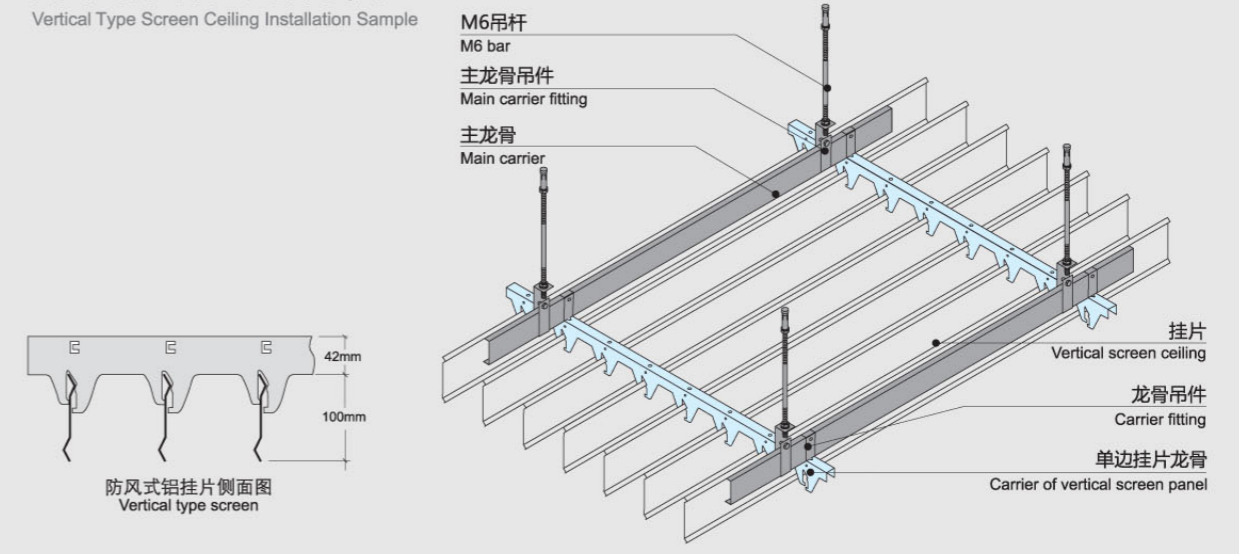


这是一种装饰性天幕型吊顶, 可调节房屋视觉高度, 并可隐藏楼底的所有管道和其他设施, 同时还可以使进入房间的阳光或灯光柔和均匀。挂片天花由铝合金条板及龙骨组成, 装拆灵活。钩搭式有124mm高, 挂片天花绝不影响房屋的吸音以及消防喷淋、空调系列等设施的安装, 备有多种颜色可供选择。该产品适用于建材装饰、机场、地铁站等大型场所。

This is a decorative Style Atrium ceiling, adjustable housing visual height, and ceiling to hide all the pipelines and other facilities, but also allows sunlight to enter the room or a soft uniform lighting. Hanging from the ceilings of aluminum alloy plate and the keel section of the Assembly and Disassembly flexible. Ride-style hook has 124mm high, hanging ceilings and in no way affect the sound-absorbing housing as well as fire sprinkler, air-conditioning series of facilities such as the installation of a wide range of colors to choose from. The product applies to building materials decoration, airports, metro stations and other large venues.

防风式铝挂片天花安装实例

Vertical Type Screen Ceiling Installation Sample



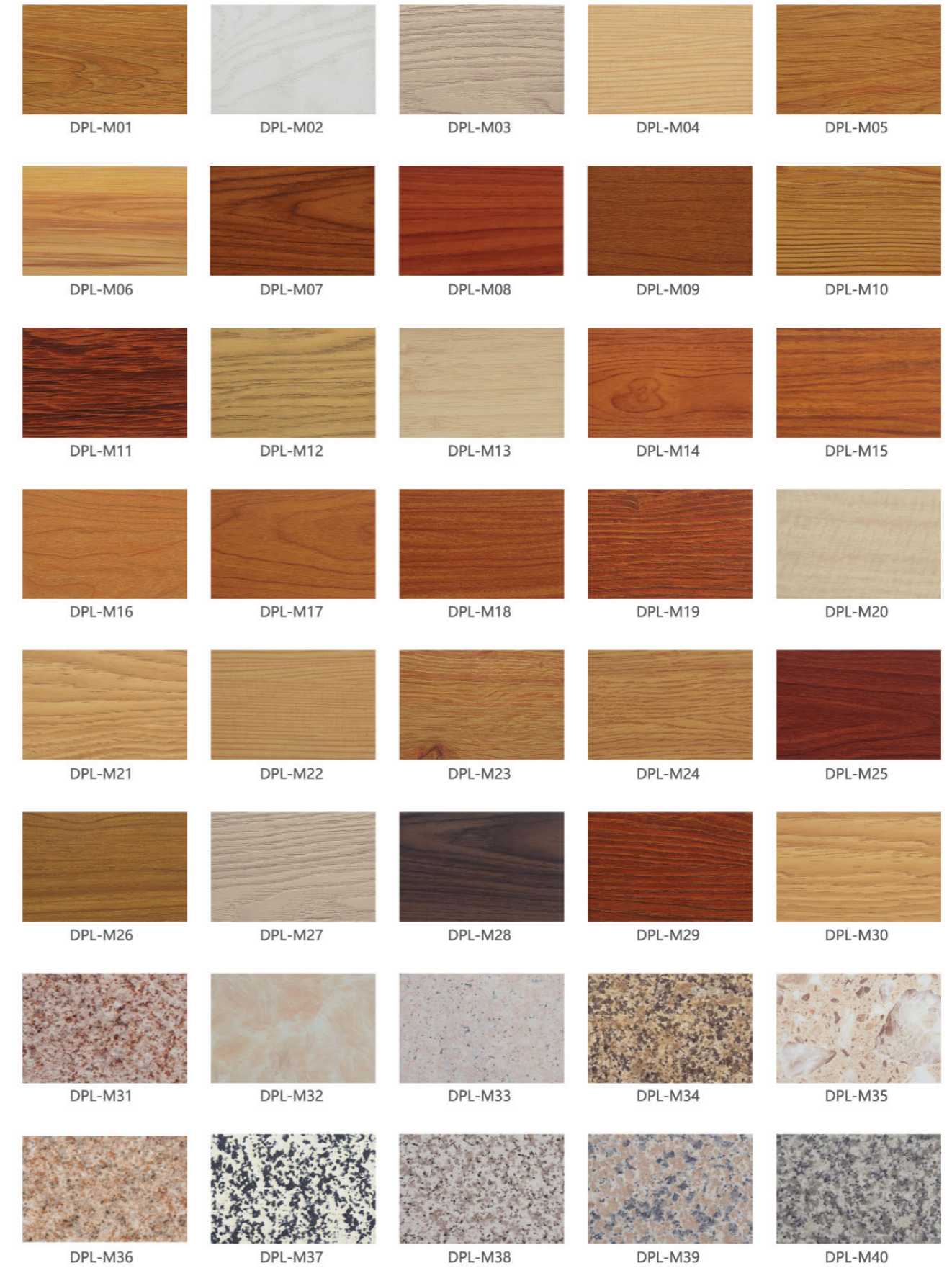
德普龙色卡

Depu Long Color Card



自然仿真-木纹板

Natural Emulation- Wood Panel



13

PROJECT
CASE
DISPLAY

工程案例



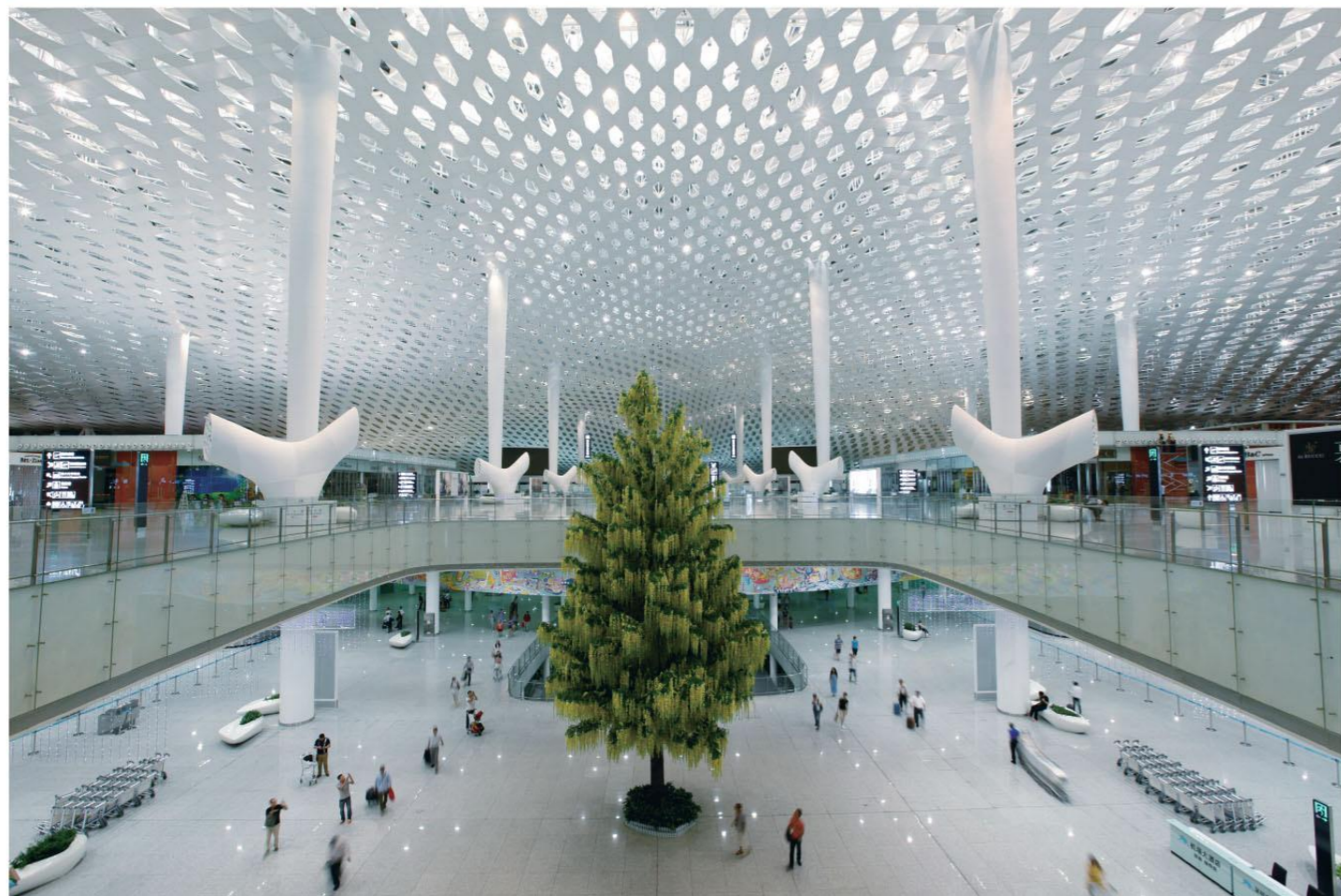
城市艺术
前行者

CITY
FUTURE
ART
PLAN

79/80

以客户为中心，创造与客户快速交流沟通和服务的通道，企业内各职能部门要成为精炼、高效的组织，杜绝机构虚设、人事浮夸、效率低的现象。简化作业流程，科学合理组织工作程序，以高素质的人打造高素质的产品，以“学以致用”的理念坚持全员培训，以团体智慧和力量创造客户满意。

Customer focus, creativity and rapid exchange of communication and customer service channels, the various functional departments within the enterprise to be refined and efficient organization, eliminate fake institutions, personnel, exaggerated, the phenomenon of low efficiency. Streamline processes, scientific and rational organization of the program to high-quality people to build high-quality products to "Learning" philosophy adhere to full training, and group wisdom and power to create customer satisfaction.



深圳机场
Shenzhen Airport

工程案例 Project Case Display

我们相信，服务应该发自真心。
所以，我们竭诚关心每一位顾客，就像对自己家里人一样，
为您提供最方便、最有人情味的。

We believe that service should be a change of heart.
Therefore, we sincerely care about every customer, just like
everyone else in his house.
To provide you with the most convenient, the most humane.





工程案例

Project Case Display

■ 广州白云机场
Guangzhou Baiyun Airport



■ 肇庆东站
Zhaoqing East Station



城市艺术
前行者

CITY
FUTURE
ART
PLAN

DEPULONG
BUILDING MATERIALS



工程案例

Project Case Display

■ 华南城
South China City





工程案例

Project Case Display

■ 湛江高铁西站
Zhanjiang High West Station





■ 湖南地铁站
Hunan subway station



德普龙

■ 赣州银行
Ganzhou Bank

深圳图书馆
Shenzhen Library



佛山图书馆
Foshan Library



哈尔滨市政府
Harbin Municipal Government





工程案例

Project Case Display

融合了新与旧，传统与现代，
怀旧与时尚，精雕细琢，
正是德普龙的魅力所在。

Blending new and old, traditional and modern,
Nostalgic and stylish, finely crafted,
It is the charm of DEPULONG.





■ 荆州万达广场
Jingzhou Wanda Plaza



■ 中山光立方
Zhongshan Light Cube

工程案例

Project Case Display

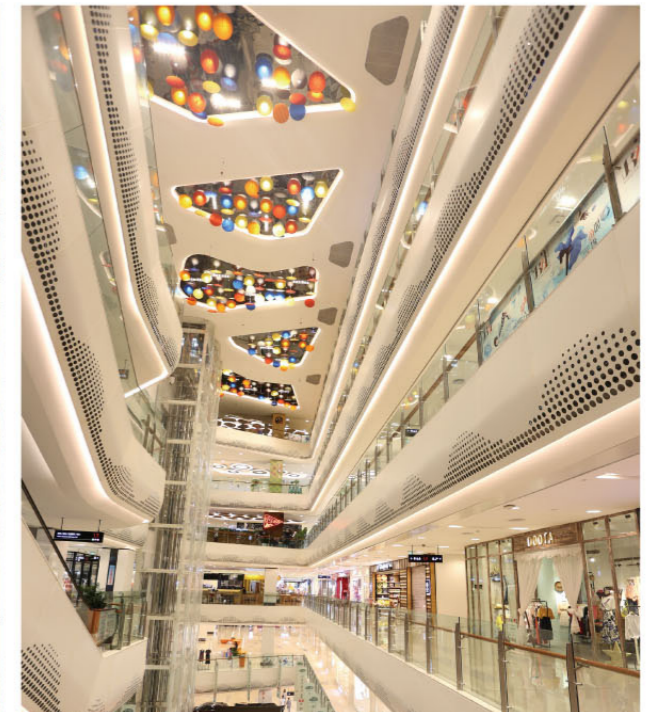
一分耕耘，一分收获。
用心去聆听，用心去创造，
不仅是德普龙的创造理念，
也是德普龙的服务之道。

No pain no gain.
Listen with your heart, create with your heart,
Not only the creative concept of DEPULONG,
It is also the service of DEPULONG.



■ 德工业服务大厦
German Industrial Service Building

■ 武汉特凯德1818购物中心
Wuhan Tekade 1818 Shopping Center





工程案例 Project Case Display



工程案例

Project Case Display



■ 哈尔滨报告厅
Harbin Auditorium



■ 南宁交通局
Nanning Department of
Transportation



江苏苏州AI生物科技园
Jiangsu Suzhou AI Biotechno-
logy Park



贵州梵净山栖霞度假酒店
Guizhou Fanjingshan Qixi Resort



工程案例

Project Case Display





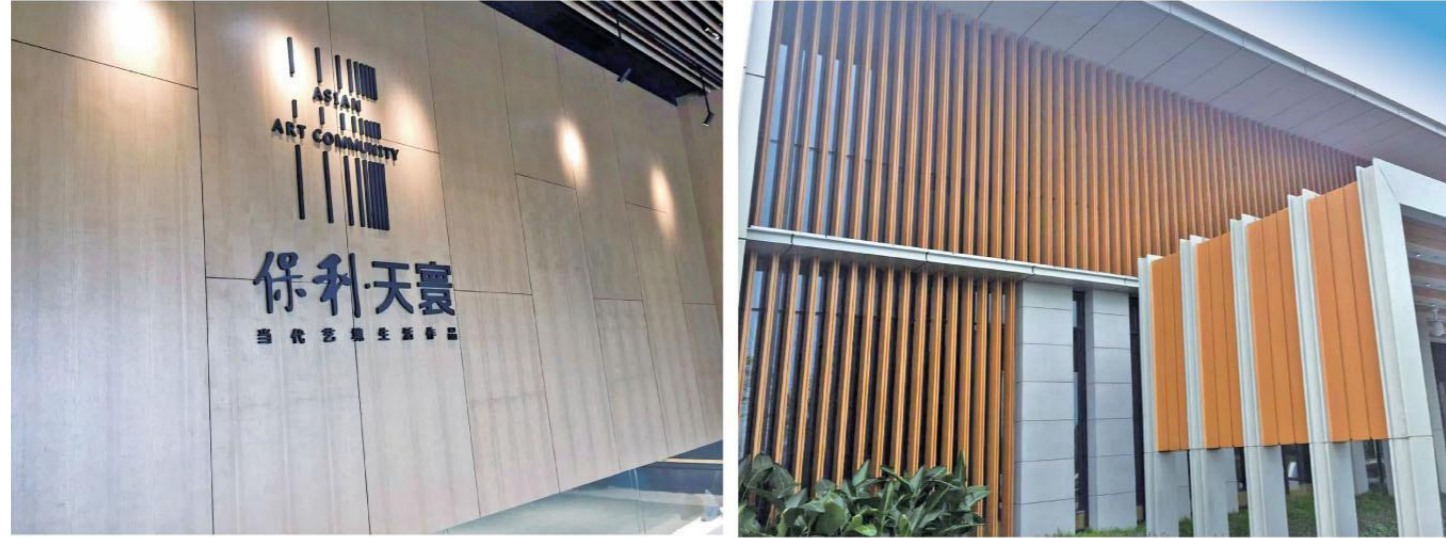
工程案例

Project Case Display

■ 云南大理自治州台湾村卡那洼其
国际旅游度假养生酒店

Yunnan, Dali Autonomous Prefecture,
Taiwan Village, Kana, International Tourism
and Wellness Hotel





■ 佛山保利售楼中心
Foshan Poly Sales Center

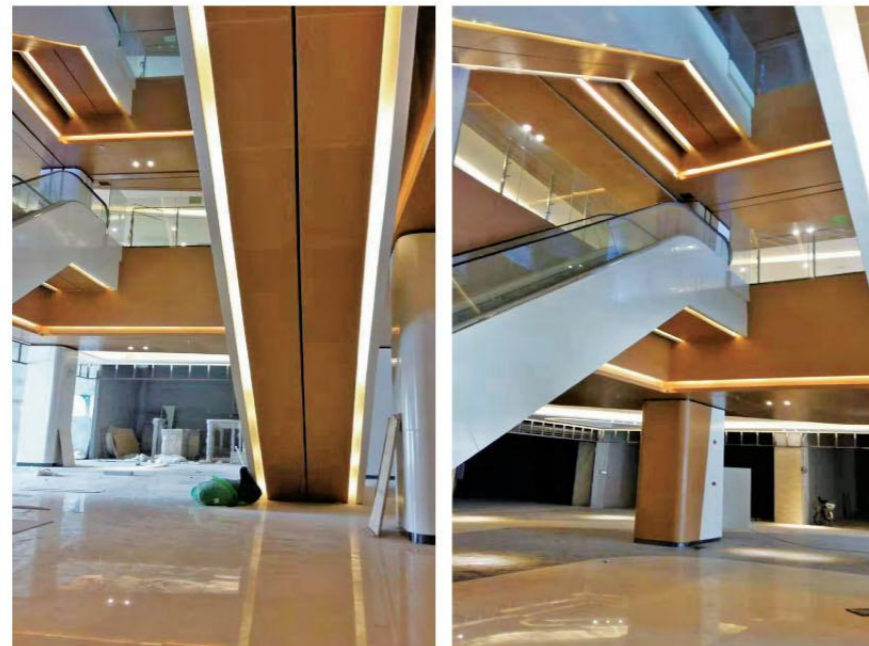


■ 贺州瑞芙豪庭售楼部
Hezhou Ruifu Haoting Sales Department

工程案例

Project Case Display

■ 广州石井国际中庭
Guangzhou Shijing International Atrium





河源门诊医技楼
Heyuan Outpatient Medical
Technology Building

工程案例

Project Case Display



德普龙



海南冲孔板
Hainan Punching Plate